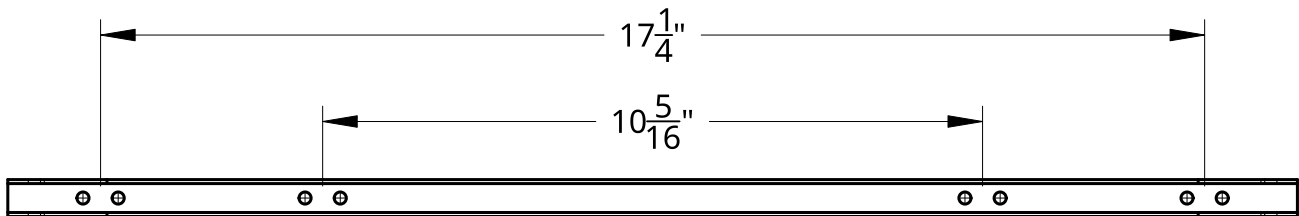
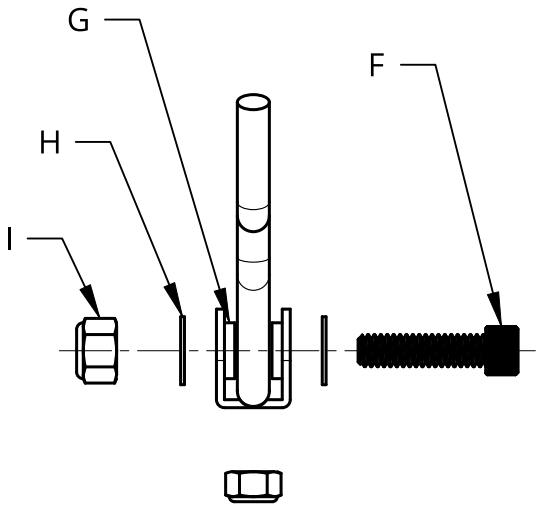
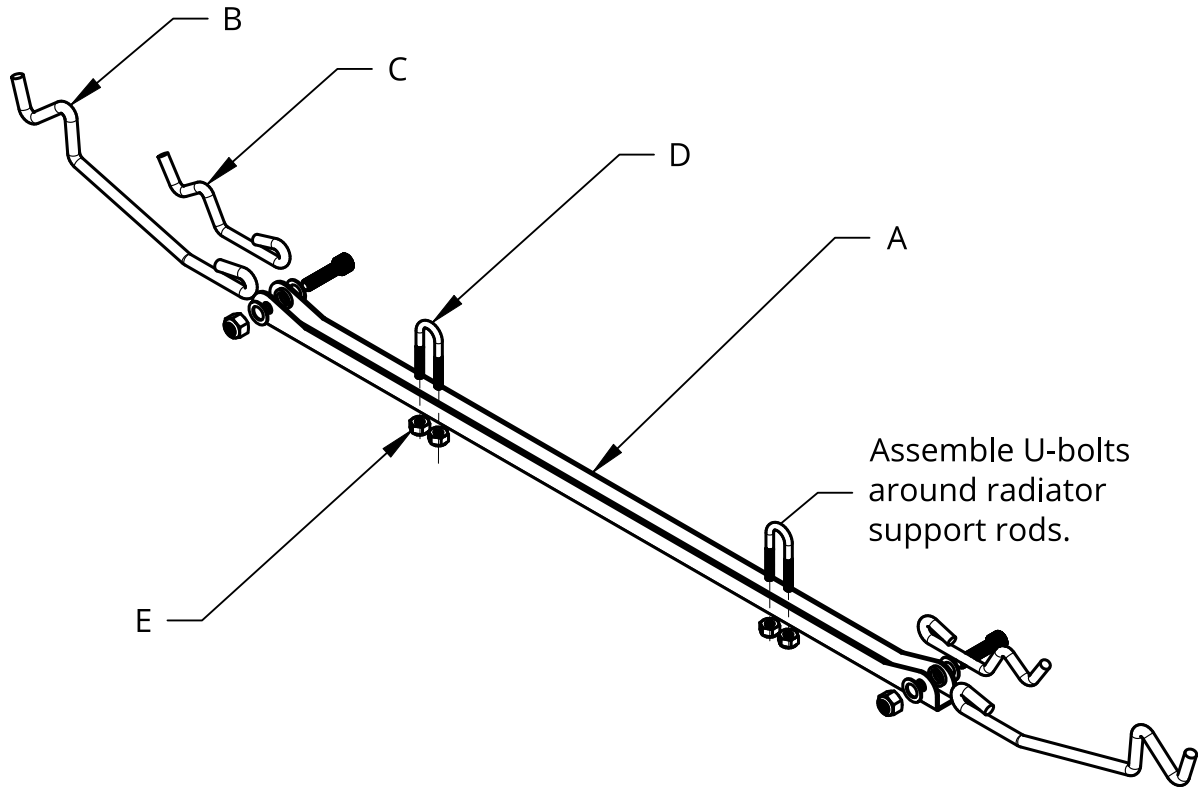




No.	DESCRIPTION	QTY in Kit
A	Prop Holder	1
B	Long Arms	2
C	Short Arms	2
D	10-32 U-Bolts	2
E	10-32 Nylon Lock Nuts	4
F	1/4"-20 x 1" Socket Head Bolt	2
G	Nylon Washers	4
H	Flat Washers	4
I	1/4"-20 Nylon Lock Nuts	2



U-bolts can be installed onto radiator rods at either 10-5/16" spacing or 17-1/4" spacing

Item No. A6223/A6248  
 Product Name: Hood Prop Kit For  
 1928-1934 Ford Car/Truck

Rev No. 08162022