

# LED Side Marker For 1973-1979 Ford Truck



## 10 LED Side Marker

**1973-1979 Ford Truck**

- 10 bright SMD type LED side marker light
- Dual function design with side marker and turn signal functions (wiring required)
- Epoxy coated, fully sealed electronics
- Energy efficient solid-state circuit board engineered for 12V DC systems
- Wiring color code: **White**=Ground(-), **Black**=Low(+), **Red**=High(+)
- Fits left hand and right hand
- Also fits 1978-1979 Ford Bronco

**111086** | Amber Lens - Front | 1 Pc. / Card  
**111087** | Red Lens - Rear | 1 Pc. / Card

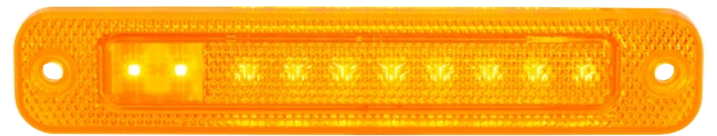
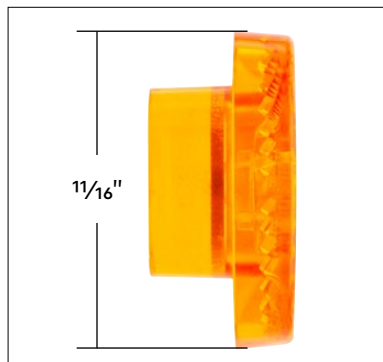
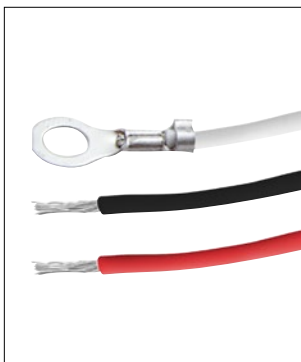
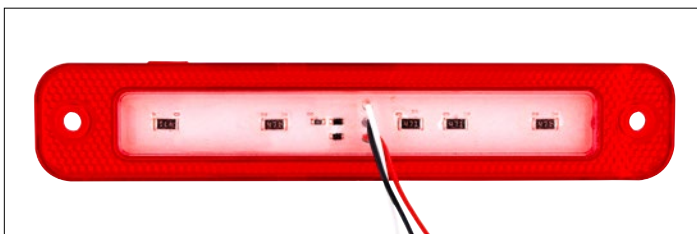


**DUAL FUNCTION**

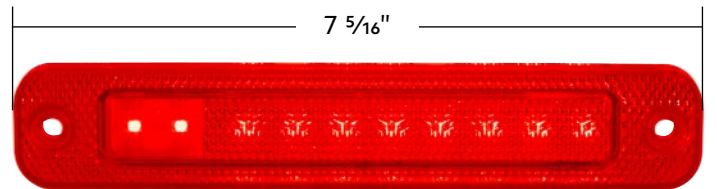
**10LEDs**



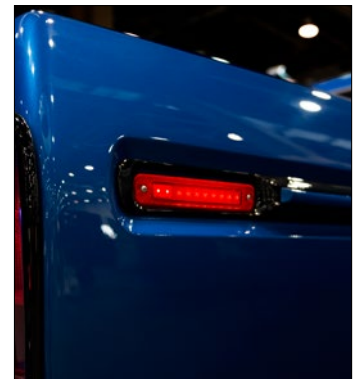
**SOLID STATE WIRING**



**UP Item #111086**  
**Amber Lens**



**UP Item #111087**  
**Red Lens**



# Chrome "FORD" Grille Letter Set

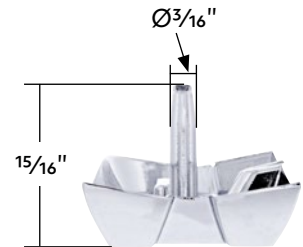
1966-1977 Ford Bronco

- Official Ford licensed restoration product
- Beautiful high quality chrome plated finish with triple chrome plating process
- Exceptional quality die-cast with gloss red inlay
- 8 speed nuts included
- Excellent upgrade for all 1966-77 Ford Broncos

110482 | Chrome "FORD" Grille Letter Set | 1 Pc. / Card

**NEW & IMPROVED!**

**CHROME**  
HIGH-QUALITY  
CHROME FINISH



# Chrome "BRONCO" Grille Letter Set

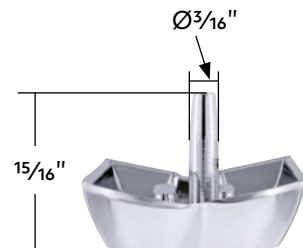
1966-1977 Ford Bronco

- Official licensed product by Ford Motor Company
- Beautiful high quality chrome plated finish with triple chrome plating process
- Exceptional quality die-cast with gloss red inlay
- 12 speed nuts included
- Excellent upgrade for all 1966-1977 Ford Broncos
- Drill template included for easy installation
- Unique design made for aftermarket smooth style grilles without FORD lettering

110499 | Chrome "BRONCO" Grille Letter Set | 1 Pc. / Card

**NEW & IMPROVED!**

**CHROME**  
HIGH-QUALITY  
CHROME FINISH



## 3" X 3" Classic Fuzzy Dice (Pair)

• Soft and fuzzy old school favorite interior accessory

C5038P	Pink - <b>NEW</b>	1 Pc. / Pair
C5038B	Blue	1 Pc. / Pair
C5038K	Black	1 Pc. / Pair
C5038R	Red	1 Pc. / Pair
C5038W	White	1 Pc. / Pair



UP Item #C5038P  
**NEW**



UP Item #C5038B



UP Item #C5038K



UP Item #C5038R



UP Item #C5038W

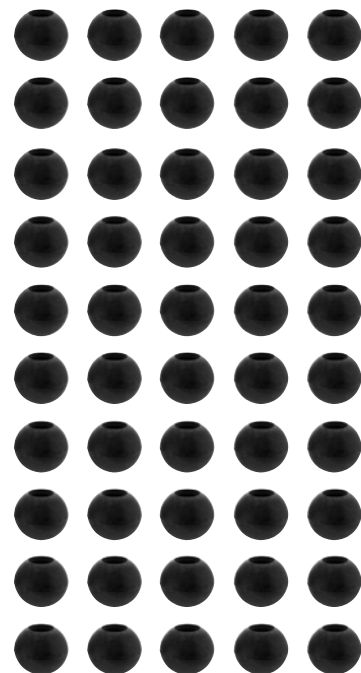
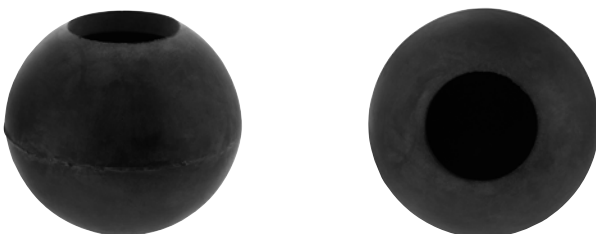
## Rubber Radius Ball

**1928-1931 Ford Model A**

- Same diameter as original
- High quality durable rubber material
- 50 pieces per sealed bag

A9021P50 | Rubber Radius Ball | 50 Pcs. / Each

**50** PIECES

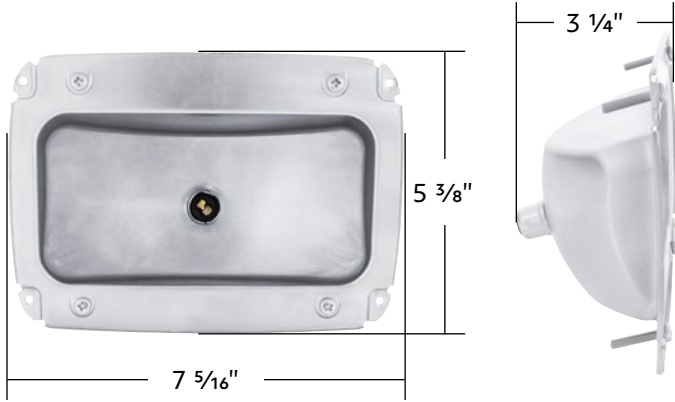


# Zinc Plated Tail Light Housing With OE Type Bulb Socket

1964.5-1966 Ford Mustang

- Zinc plated finish for better corrosion resistance
- Includes spacers and nuts for mounting
- Integrated with OE compatible bulb socket

111178 | Zinc Plated Tail Light Housing W/ Socket | 1 Pc. / Box



# 1157 Type Bulb - Clear (10-Pack)

- Indexed double contact bayonet base
- 10 pieces per pack

1157P10 | 1157 Type Bulb - Clear

10 Pcs. / Box

10 PIECES



# 1156 Type Bulb - Clear (10-Pack)

- Single contact bayonet base
- 10 pieces per pack

1156P10 | 1156 Type Bulb - Clear

10 Pcs. / Box

10 PIECES



# 21 Candle Power 6V Stop Light Bulb

1928-1931 Ford Model A

- Standard original equipped style 6V bulb
- 10 pieces per box

A1010P10 | Candle Power 6V Stop Light Bulb

10 Pcs. / Box

10 PIECES



# United Pacific 1966-1996 Ford Bronco & Truck Catalog 3rd Edition

- Collection of United Pacific's products for 1966-1996 Ford Bronco & trucks

**ACBR03** | United Pacific Ford Bronco Catalog | 1 Pc. / Each



**BACK IN STOCK**

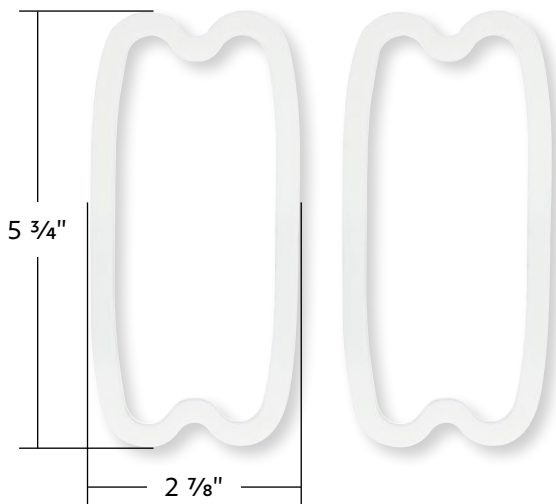
## Tail Light Lens Gasket (Pair)

**1960-1966 Chevrolet & GMC Truck**

- White foam rubber as original
- Die cut to the exact shape and size as original to provide a nice tight seal

**C606651** | Tail Light Lens Gasket | 2 Pcs. / Pair

**2** SOLD IN PAIRS



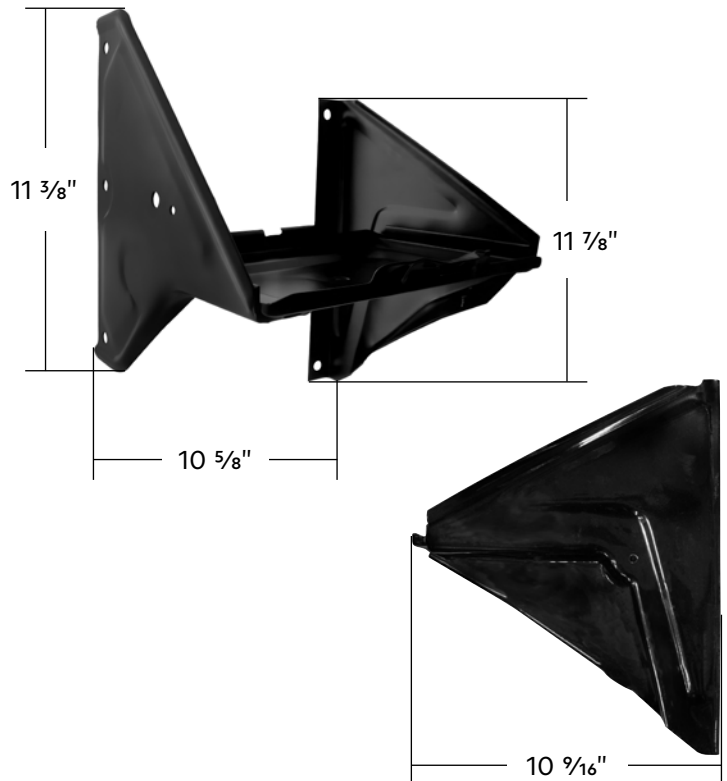
**BACK IN STOCK**

## Battery Tray

**1967-1972 Chevrolet & GMC Truck W/out Air Conditioning**

- Heavy duty stamped steel as original
- Black powder coated to protect against corrosion
- Identical design as the original
- Test fitted in house to ensure a hassle free installation

**C677203** | Battery Tray | 1 Pc. / Each



WELCOME TO YOUR  
**ALL-IN-ONE DEALER PORTAL**  
ONE-STOP ONLINE BUYING EXPERIENCE.

**CONTACT US TO SIGN UP TODAY!**

T 866.327.5288  
F 888.986.6088  
[classic.upauto.com](http://classic.upauto.com)