

HOOD HINGE

For 1973-1980 Chevrolet & GMC Truck

NEW & IMPROVED

Made from stronger 12-gauge steel compared to the previous hood hinge.

Hood Hinge

1973-1980 Chevrolet & GMC Truck

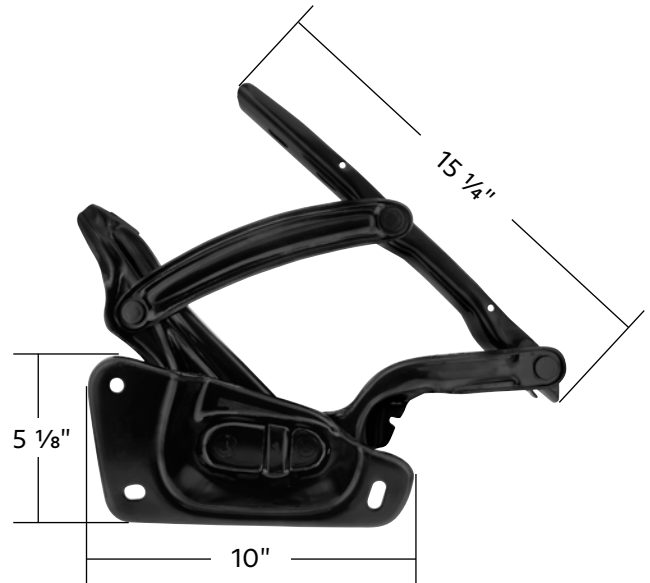
- Heavy duty 12 gauge steel reproduction of the original hood hinge style and design
- Finish with black EDP protective coating to keep your new steel fresh and rust-free
- Hinge spring not included

110991 Left Hand

1 Pc. /Each

110992 Right Hand

1 Pc. /Each

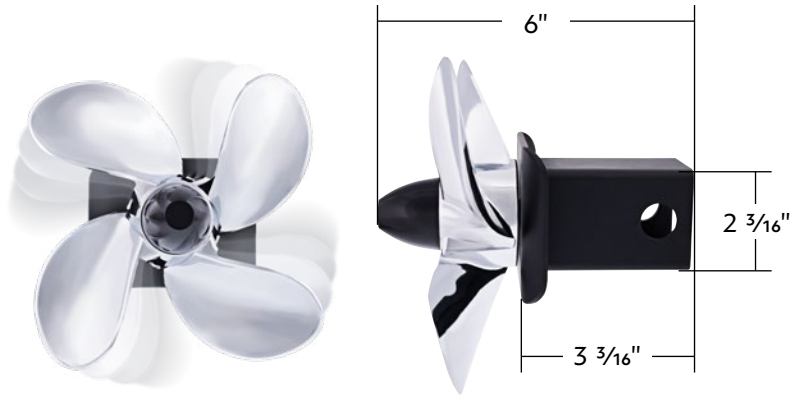
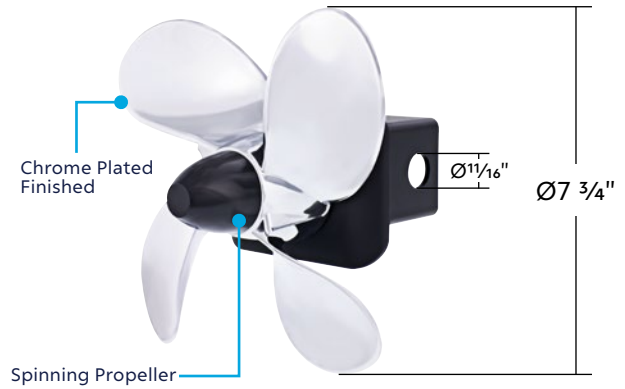
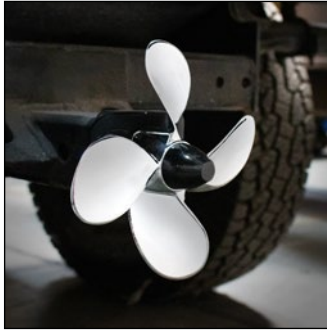


Spinning Propeller Hitch Cover

2" X 2" Trailer Hitch Receivers

- Beautiful high quality chrome plated injection molded plastic
- Features a free spinning propeller
- Corrosion resistant, made of high quality plastic polymer
- Mounts in place with standard locking hitch pin & clip (sold separately UP Item #77051)
- Keeps dirt & debris out of hitch & gives a super clean look

77009 | Spinning Propeller Hitch Cover | 1 Pc. /Cbox



Louvered Air Cleaner Cover - Black

- Finished with black EDP protective coating
- For 4" round air cleaners

111147 | Black | 1 Pc. / Each



WELCOME TO YOUR
ALL-IN-ONE DEALER PORTAL
 ONE-STOP ONLINE BUYING EXPERIENCE.

CONTACT US TO SIGN UP TODAY!

T 866.327.5288
 F 888.986.6088
classic.upauto.com