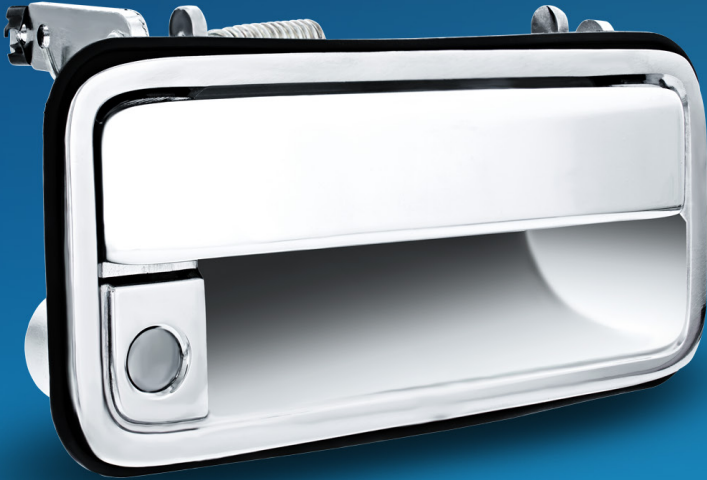




United Pacific

NEW ITEMS // February 2024



Chrome Exterior Door Handle

1988-2000 Chevrolet & GMC Truck

- Quality die-cast with beautiful chrome plated finish
- Directly installs in place of the original
- Includes rubber mounting gasket
- For GMT 400 trucks, not for 1988-1991 R/V trucks, or 1999+ Silverado/Sierra

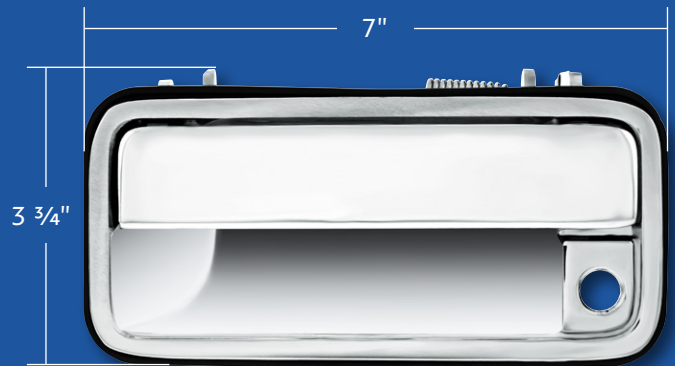
111046 | Left Hand

1 Pc. / Each

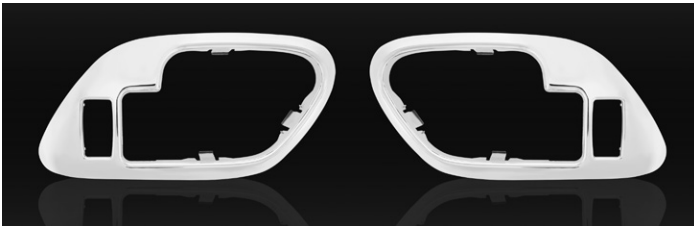
111047 | Right Hand

1 Pc. / Each

**CHROME
FINISH**



T 866.327.5288 | F 888.986.6088 | classic.upauto.com



Chrome Plastic Interior Door Handle Bezel With Door Lock Hole

1995-2002 Chevrolet & GMC Truck

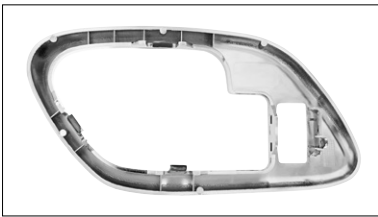
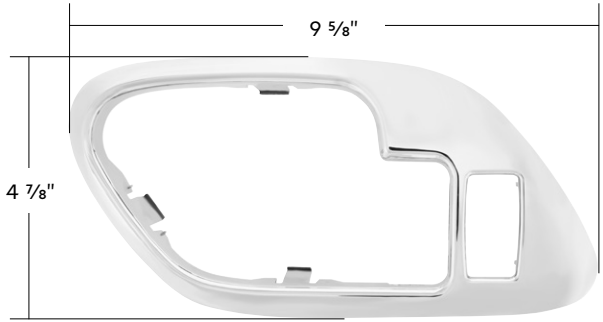
- Beautiful high quality chrome plated injection molded plastic
- Directly installs in place of the OE trim piece
- Not for 1999+ Silverado/Sierra trucks
- Includes opening for electric door lock switch

111048 | Left Hand

1 Pc. / Each

111049 | Right Hand

1 Pc. / Each



Chrome Plastic Interior Door Handle Bezel

1995-2002 Chevrolet & GMC Truck

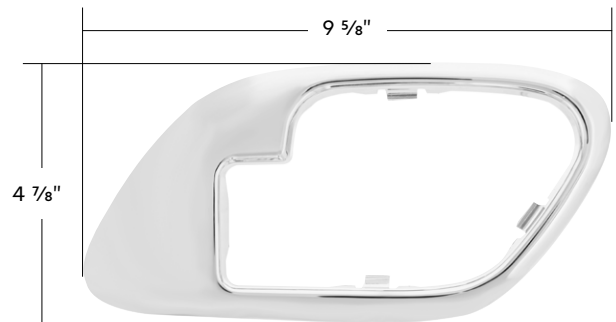
- Beautiful high quality chrome plated injection molded plastic
- Directly installs in place of the OE trim piece
- Not for 1999+ Silverado/Sierra trucks

111052 | Left Hand

1 Pc. / Each

111053 | Right Hand

1 Pc. / Each



BACK IN STOCK

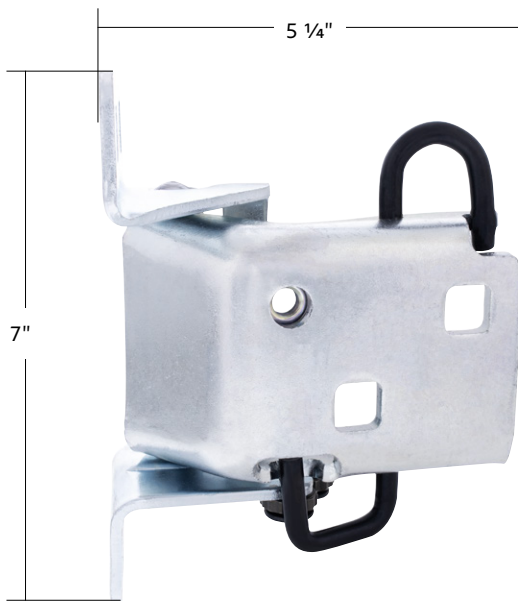
Upper Door Hinge

1973-1987 Chevrolet Truck

- Die stamped with heavy duty steel with original contour detail
- Precision punched mounting holes for easy installation
- Features original style hinge spring to help keep the door open

110854 | Left Hand
 110855 | Right Hand

1 Pc. / Each
 1 Pc. / Each



WELCOME TO YOUR
ALL-IN-ONE DEALER PORTAL

ONE-STOP ONLINE BUYING EXPERIENCE.



Place & Track Orders



View Invoices



Initiate Returns



Check Inventory Status



Back Order



Quick Access

CONTACT US TO SIGN UP TODAY!

T 866.327.5288 | F 888.986.6088 | classic.upauto.com