

NEW ITEMS // December 2023



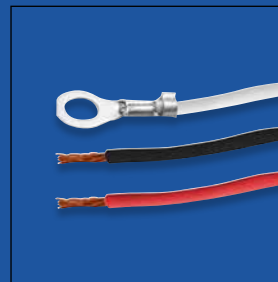
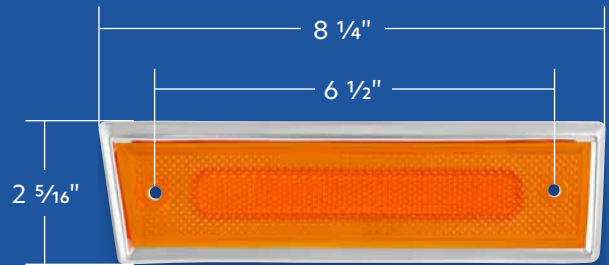
8 Amber LED Dual Function Side Marker W/ SS Trim

1981-1987 Chevrolet & GMC Truck

- Super bright amber LEDs with high quality injection molded polycarbonate lens
- Polished stainless steel trim
- Dual function design with side marker and turn signal functions (wiring required)
- Epoxy coated, fully sealed electronics
- Energy efficient solid-state circuit board engineered for 12V DC systems
- LED compatible flasher required for proper operation: Item #90652 or 90649
- Also fits Suburban, Jimmy, & Blazer
- Wiring color code: **WHITE**=ground (-), **RED**=high (+), **BLACK**=low (+)

110310 | Left Hand
110311 | Right Hand

1 Pc. / Hbox
 1 Pc. / Hbox



T 866.327.5288 | F 888.986.6088 | classic.upauto.com

Bullseye Style Back-Up Light Lens

1967-1972 Chevrolet & GMC Trucks

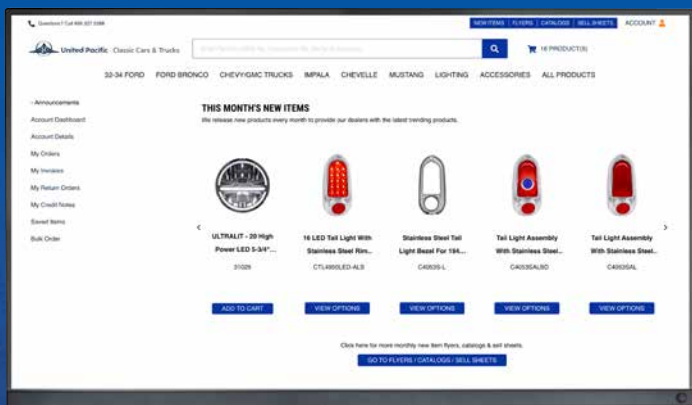
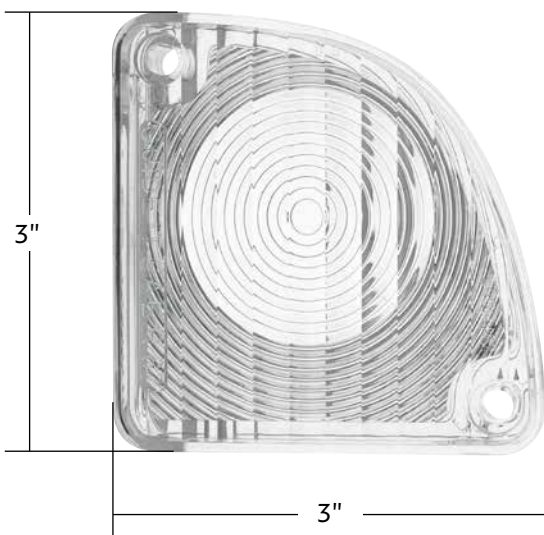
- Excellent quality plastic injection molded lens
- Features the highly desired 67-68's Bullseye style circular lens pattern
- Original shape and size for each replacement

110362 Right Hand

1 Pc. / Each

110363 Left Hand

1 Pc. / Each



CLASSIC CAR DEALER PORTAL NOW AVAILABLE

One-stop Online Buying Experience:

- Place and Track Orders
- View Invoices
- Initiate a Return
- Check Inventory Status
- Back Order

CONTACT US TO SIGN UP TODAY!

T 866.327.5288 | F 888.986.6088 | classic.upauto.com