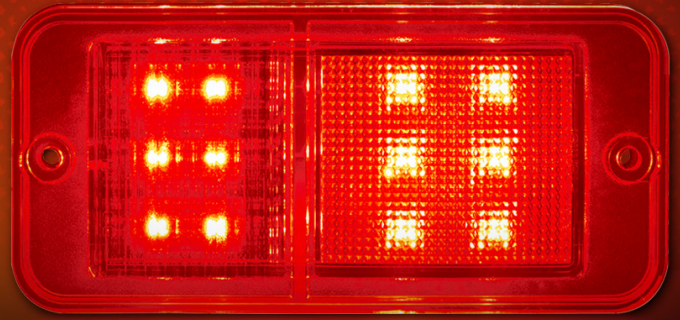
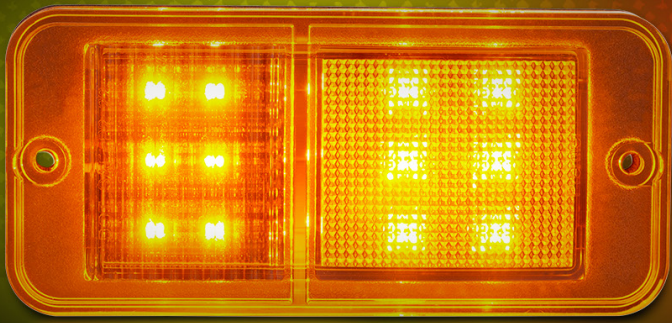


NEW ITEMS // November 2023



## 12 LED Standard Style Side Marker

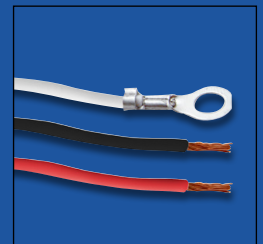
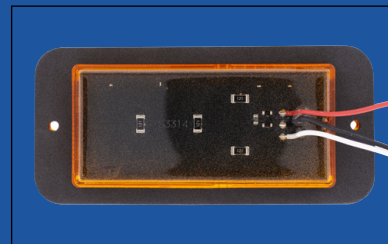
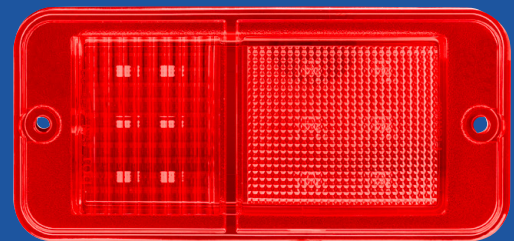
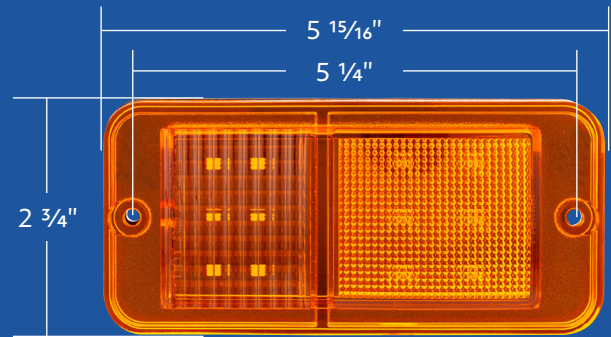
1968-1972 Chevrolet & GMC Truck

- High quality injection molded acrylic lens patterned like the original side marker
- Features 12 bright LEDs
- Epoxy coated, fully sealed electronics designed for 12V DC systems
- Includes foam pad for mounting
- Wiring required, **WHITE**=Ground, **RED**=High, **BLACK**=Low

111026 | Amber  
111027 | Red

1 Pc. / Card  
1 Pc. / Card

12 LEDs



T 866.327.5288 | F 888.986.6088 | [classic.upauto.com](http://classic.upauto.com)

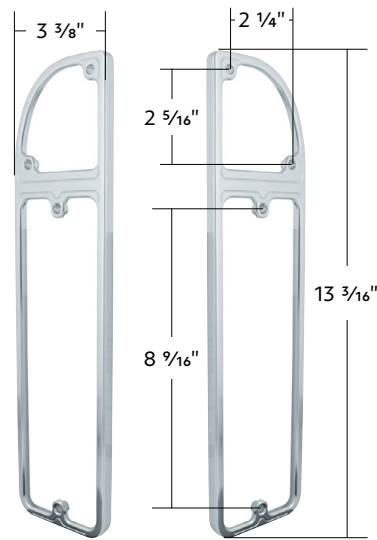
## Clear Anodized Billet Aluminum Tail Light Bezels (Pair)

1967-1972 Chevrolet & GMC Fleetside Trucks

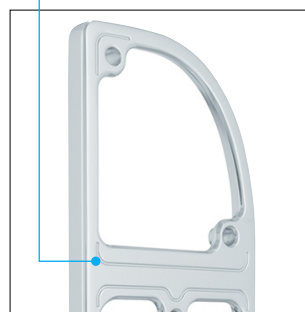
- CNC milled out of single solid 6061 aluminum block
- Clear anodized to increase corrosion resistance while keeping the machined finished look
- Includes 8 stainless steel #8-32x2" screws for use with original tail light lens mounting holes
- Sold in pairs

110597 | Tail Light Bezels (Pair)

1 Pc. / Hbox



Unique CNC milled outline



## Fuel Sending Unit

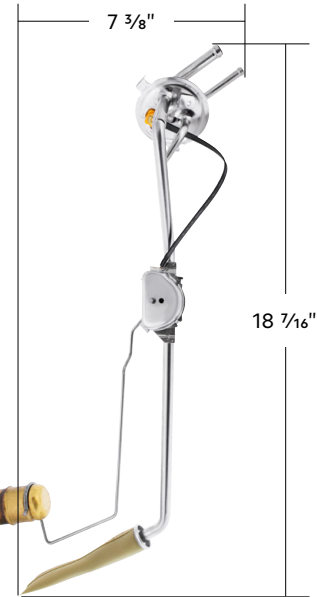
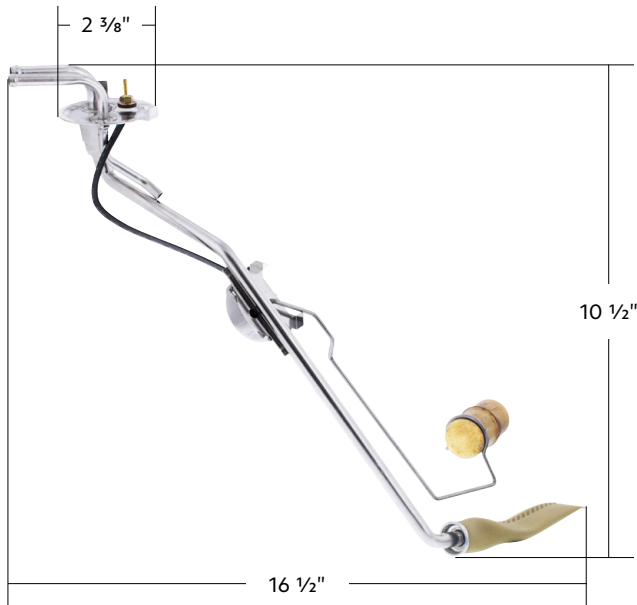
1967-1972 Chevy & GMC Truck

- Made with corrosion resistant stainless steel sheet metal
- Brass float just like the original
- Includes rubber seal, stainless steel lock ring, and strainer
- 3/8" diameter fuel line inlet
- Also fits Suburban, Blazer, and Jimmy
- Direct replacement for GM #6428271, 6428162

111125 | Fuel Sending Unit

1 Pc. / Wbox





## Fuel Sending Unit

### 1972 Chevy & GMC Truck W/ Auto Transmission

- Made with corrosion resistant stainless steel sheet metal
- Brass float just like the original
- Includes rubber seal, stainless steel lock ring, and strainer
- 3/8" diameter fuel line inlet and 1/4" diameter return line

111139 | Fuel Sending Unit

| 1 Pc. / Wbox

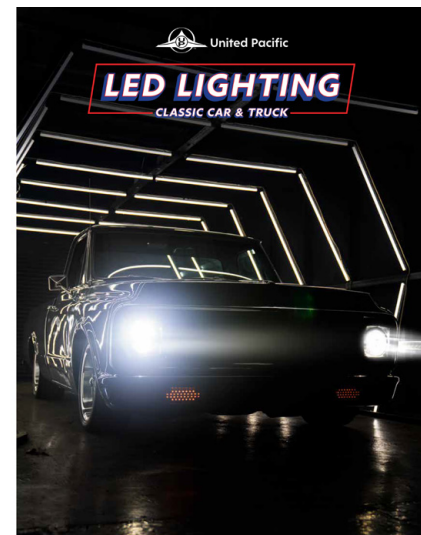


## United Pacific 1966-1977 Ford Bronco Parts Poster

- Poster showcasing United Pacific's line up of parts and accessories for the Ford Bronco
- Dimension appoximately 36" x 24"

99239 | Bronco Parts Poster

| 1 Pc. / Each



## Classic LED Lighting Product Catalog 7th Edition

- Collection of United Pacific's LED lights and related light products for classic car and truck
- The catalog consists of 172 pages total
- Also available as digital download on our website's Catalogs & Flyers section

ACLED7 | 7th Edition

| 1 Pc. / Each



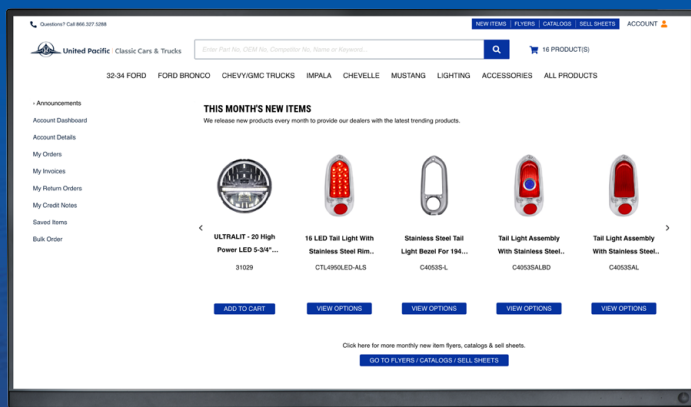
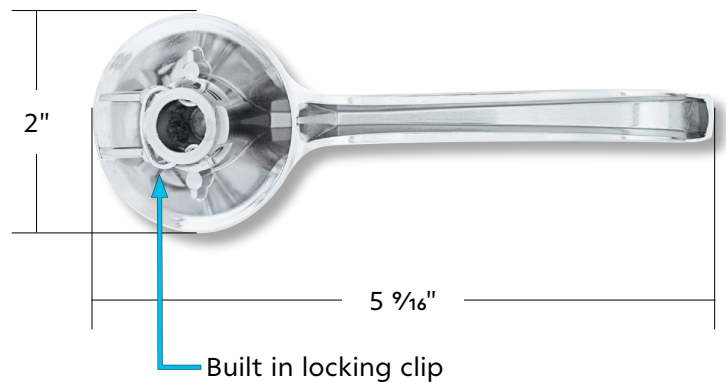
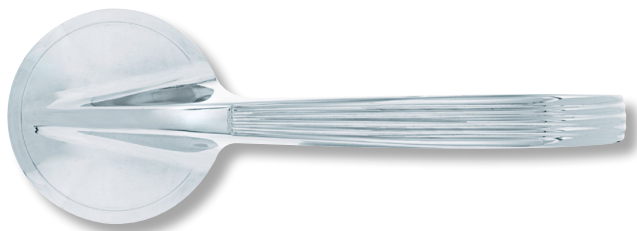
**NEW & IMPROVED!**

## Chrome Die-Cast Interior Door Handle

**1949-1964 Chevy Passenger Car**

- Beautiful high quality chrome plated finish with triple chrome plating process
- Exact design and shaped as original
- Exceptional quality die-cast
- Fits 1949-52 all models except wagon, 1955-57 all models, 1958-60 Bel Air & Biscayne, and 1961-64 Biscayne

**C496401 | Chrome Die-Cast Interior Door | 1 Pc. / Each**



## CLASSIC CAR DEALER PORTAL NOW AVAILABLE

**One-stop Online Buying Experience:**

- Place and Track Orders
- View Invoices
- Initiate a Return
- Check Inventory Status
- Back Order

**CONTACT US TO SIGN UP TODAY!**

T 866.327.5288 | F 888.986.6088 | [classic.upauto.com](http://classic.upauto.com)