

NEW ITEMS // October 2023

Fuel Sending Unit

1972 Chevy & GMC Truck W/ Manual Transmission



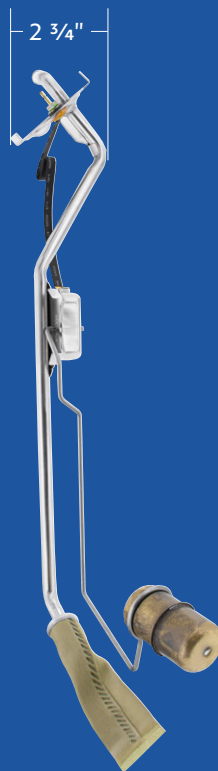
Fuel Sending Unit

1972 Chevy & GMC Truck W/ Manual Transmission

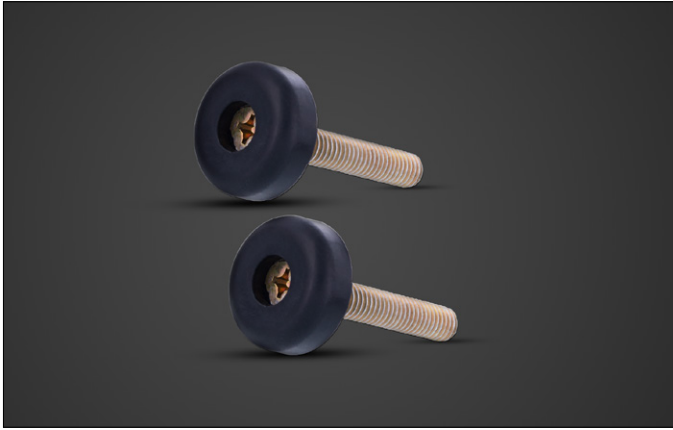
- Made with corrosion resistant stainless steel sheet metal
- Brass float just like the original
- Includes rubber seal, stainless steel lock ring, and strainer
- 3/8" diameter fuel line inlet

111045 | Fuel Sending Unit

| 1 Pc. / Each



T 866.327.5288 | F 888.986.6088 | UPcarparts.com



Hood Bumper (Pair)

1967-1972 Chevrolet & GMC Truck

- High quality durable rubber
- Matches OE thread spec, 5/16"-18 thread
- 2-1/4" long length, 1-1/16" in diameter
- Sold in pairs

110692 | Hood Bumpers

2 Pcs. / Each



Finger Hood Ornament

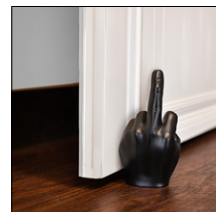
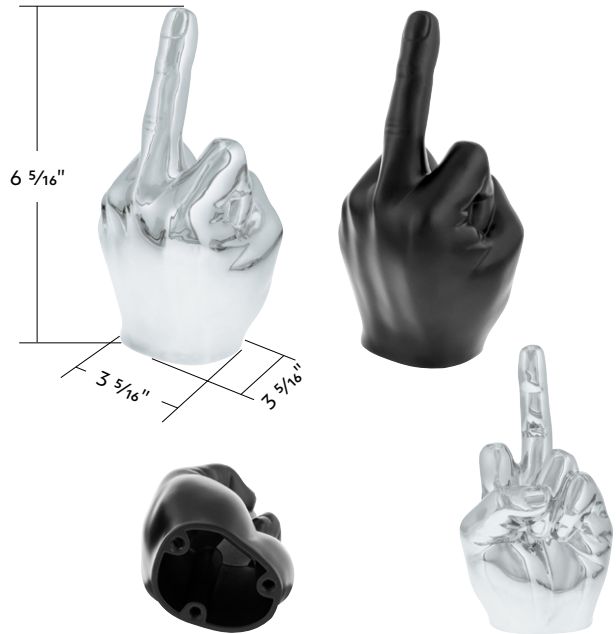
- Exceptionally detailed, sturdy cast aluminum construction
- Ideal for decorating small & personal space, home, office & garage
- Easy installation on any vehicle with three mounting studs
- Includes mounting hardware: 1 rubber pad, 3 M6-1.25 studs, 3 nuts, 3 flat washers, 3 spring washers, 3 rubber plugs
- High quality chrome finish and matte black powder coated finish available

72054 | Chrome

1 Pc. / Hbox

72055 | Matte Black

1 Pc. / Hbox



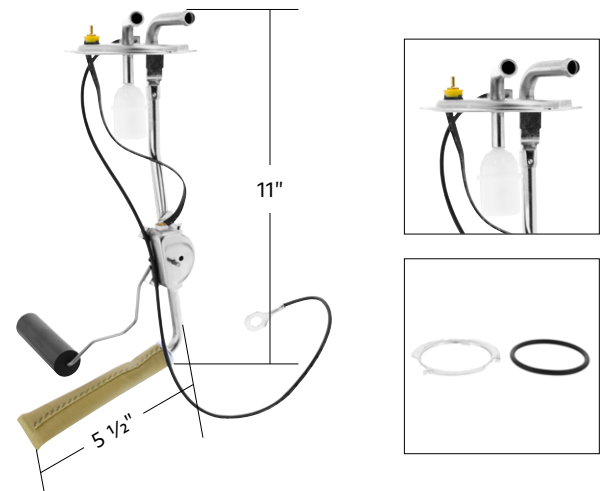


SOLD IN PAIRS

Load Resistor-50 Watt 15 Ohm (Pair)

- Simulate the load of an incandescent bulb
- Aluminum housing with heat sink allows installation in most locations
- 15 ohm resistor rated for 50 watts of heat dissipation capacity
- Eliminate flickering or burnt out bulb indication associated with LED conversions
- Includes a pair of load resistor and 4 quick splice connectors

34237 | Load Resistor-50 Watt 15 Ohm | Pair / Hbox



NEW & IMPROVED!

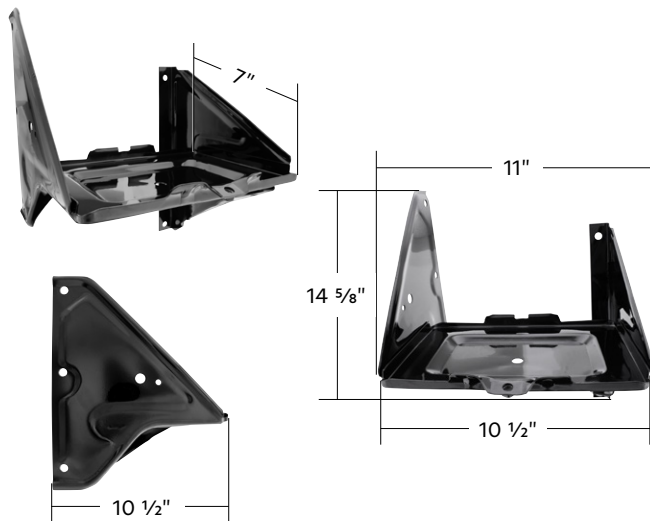
STAINLESS STEEL

Fuel Sending Unit

1973-1979 Chevy & GMC Truck

- Made with corrosion resistant stainless steel sheet
- Features 2 outlets only design
- Brass float just like the original
- Includes rubber seal, stainless steel lock ring, and strainer

110670 | Fuel Sending Unit-R/H | 1 Pc. / Each



NEW & IMPROVED!

EDP COATING PROTECTION

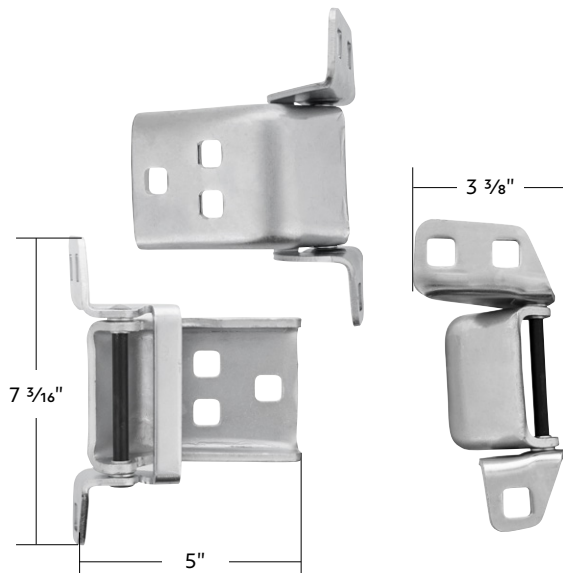
EASY INSTALLATION

Battery Tray

1967-1972 Chevy & GMC Truck W/ Air Conditioning

- Heavy duty stamped steel as original
- Black powder coated to protect against corrosion
- Identical design as the original
- Test fitted in house to ensure a hassle free installation

C677212 | Battery Tray | 1 Pc. / Each



NEW & IMPROVED!

EASY INSTALLATION

Lower Door Hinge

1973-1987 Chevy & GMC Truck

- Die stamped w/ heavy duty steel w/ original contour detail
- Precision punched mounting holes for easy installation

110856 | Lower Door Hinge-L/H | 1 Pc. / Each