

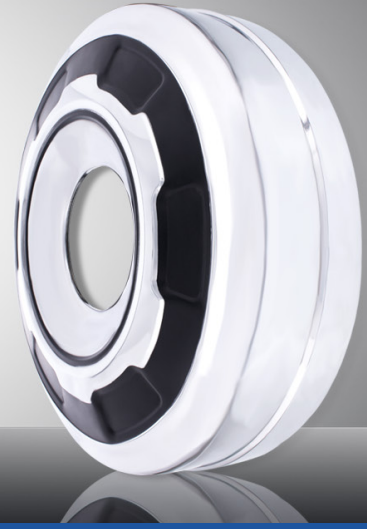


United Pacific

NEW ITEMS // July 2023

CHROME CENTER HUBCAP - FRONT

1978-1984 FORD F-250/F-350 4X4

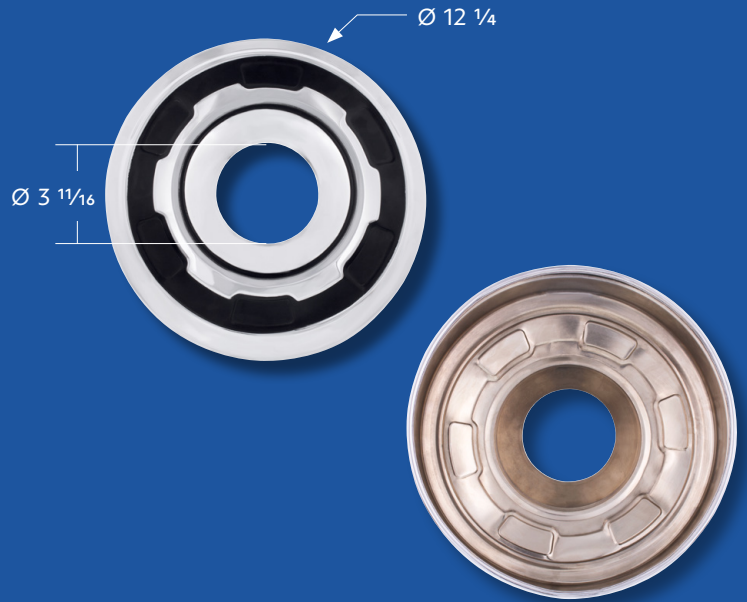


Chrome Center Hubcap - Front

1978-1984 Ford F-250/F-350 4X4

- Beautiful high quality chrome plated finish with triple chrome plating process
- Quality die stamped steel
- Satin black painted accent as original
- Fits front wheels on 3/4 & 1 ton Ford trucks and vans with 4WD

110902 | Chrome Center Hubcap | 1 Pc. / Wbox
4x4 Front Wheel



RECOMMENDED ITEM

Chrome Center Hubcap

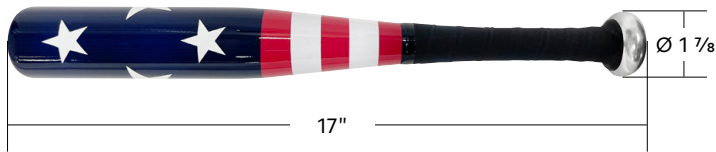
1978-1984 Ford F-250/F-350

- High quality chrome plated finish w/ triple chrome plating process
- Quality die stamped steel
- Satin black painted accent as original
- Fits 3/4 & 1 ton Ford trucks and vans

110751 | Chrome Center Hubcap | 1 Pc. / Wbox



T 866.327.5288 | F 888.986.6088 | UPcarparts.com



17" Aluminum Tire Checker Bat With American Flag Graphic

Tire Checker Bat

- Aluminum tire checker with red, white, and blue American flag themed stars and stripes graphic
- 17" long with comfortable anti-slip grip

99300 | American Flag Graphic | 1 Pc. / Wbox



Thread-On Aluminum Skull Biker 1/2"-13 Gearshift Knob - Black (Bulk)

Black

- Beautiful skull detail with goggle and helmet
- High quality black powder coated finish
- Machined inside thread 1/2"-13
- Designed to work best with UP thread-on shift knob adapters
May also work with other adapters with 1/2"-13 thread
- Includes a packet of threadlocker

70806B | 1/2"-13 Thread-On Gearshift Knob | 1 Pc. / Bulk

NEW STYLE

United Pacific Cap - Flame U.P. Cap

Flame U.P. Cap

- 100% cotton twill hat
- Embroidered UP logo
- Embroidered flames on bill and sides
- Velcro adjustable strap back

99085 | Flame U.P. Cap | 1 Pc. / Each



NOW IN STOCK!

4 LED Dual Function Mini Spike Light With SS Bezel

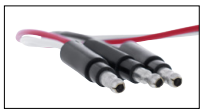


4 LED Dual Function Mini Spike Light W/ SS Bezel (Clearance/Marker & Auxiliary/Utility)

Dual Function

- Spike lens shape with unique frosted inner design
- Features 4 super bright 12V LEDs
- Dual functions with high and low brightness
- Polished stainless steel bezel
- Fully epoxy sealed to prevent moisture intrusion
- Mounts with included rubber grommet
- Easy wiring with 3 male bullet plugs
- Requires a 3/4" opening

34841	Amber LED	Amber Lens	C/M	1 Pc. / Card
34842	Red LED	Red Lens	C/M	1 Pc. / Card
34843	Amber LED	Clear Lens	C/M	1 Pc. / Card
34844	Red LED	Clear Lens	C/M	1 Pc. / Card
34845	Blue LED	Clear Lens	Aux	1 Pc. / Card
34846	White LED	Clear Lens	Aux	1 Pc. / Card


4 LEDs
DUAL FUNCTION
STAINLESS STEEL BEZEL
(Clearance/Marker)
(Auxiliary)

34841

34843

34845

34842

34844

34846
