

NEW ITEMS // March 2023

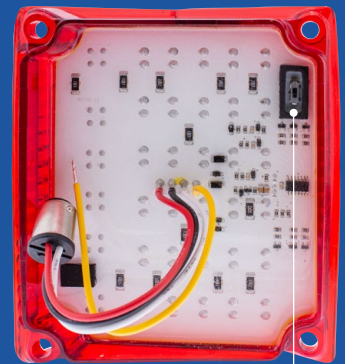
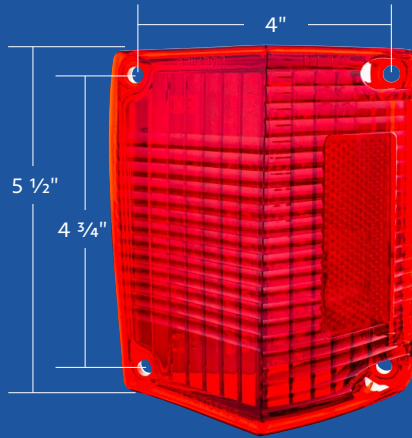

36 LED Sequential Tail Light

1970-1972 Chevy El Camino/Station Wagon

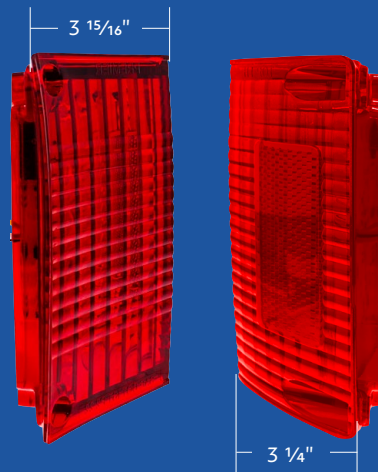
- Super bright LED with high quality injection molded polycarbonate lens
- Dual function with tail light and bright stop/turn signal
- Features sequential operation with brake attention feature, and selector switch to turn off if desired
- Epoxy coated, fully sealed electronics
- Easy electrical connection with 1157 plug, no modification to vehicle
- LED compatible flasher required for proper operation, item #90652 or 90649

110547 | Left Hand
110548 | Right Hand

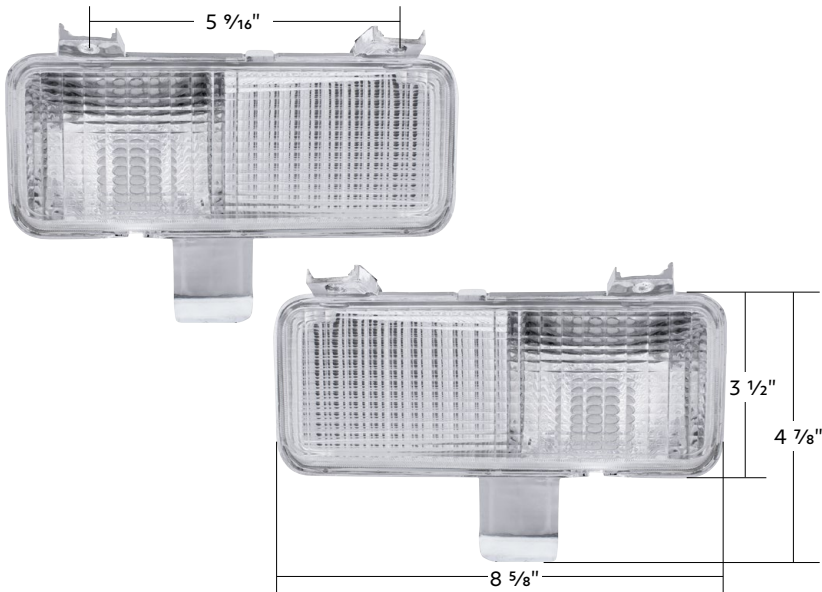
1 Pc. / Card
 1 Pc. / Card



LED Selector Switch



T 866.327.5288 | F 888.986.6088 | UPcarparts.com



Parking Light

1981-1982 Chevy & GMC Truck

- Quality reproduction with original style lens design
- Injection molded rear housing with mounting tabs for easy installation

111088 | Left Hand | 1 Pc. / Each
111089 | Right Hand | 1 Pc. / Each

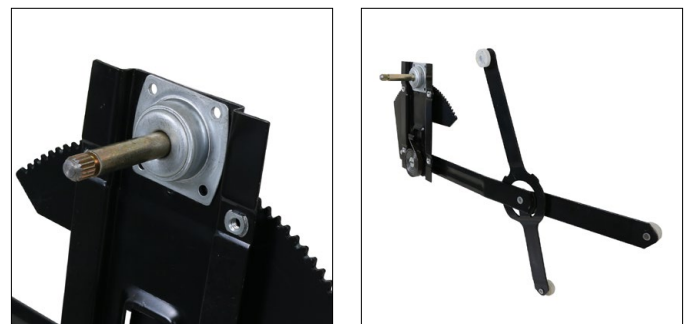


Manual Window Regulator

1977-1991 Chevy & GMC Truck

- Excellent quality high strength steel stamping
- Original style counter balance spring design, OE spec spline shaft, and quality nylon rollers
- Features 1/4"-20 square nuts for easy installation to door shell
- Not for vehicles equipped with power windows
- Also fits 1977-1991 Chevrolet Blazer, GMC Jimmy, & Suburban with manual crank windows
- Will not fit 1988-1991 Chevrolet C/K and GMC Sierra trucks

111080 | Left Hand | 1 Pc. / Each
111081 | Right Hand | 1 Pc. / Each





Manual Window Regulator

1974-1976 Chevy & GMC Truck

- Excellent quality high strength steel stamping
- Original style counter balance spring design, OE spec spline shaft, and quality nylon rollers
- Features 1/4"-20 square nuts for easy installation to door shell
- Not for vehicles equipped with power windows
- Also fits 1974-1976 Chevrolet Blazer, GMC Jimmy, & Suburban with manual crank windows

111078 | Left Hand

1 Pc. / Each

111079 | Right Hand

1 Pc. / Each



Manual Window Regulator

1973 Chevy & GMC Truck

- Excellent quality high strength steel stamping
- Original style counter balance spring design, OE spec spline shaft, and quality nylon rollers
- Features 1/4"-20 square nuts for easy installation to door shell
- Not for vehicles equipped with power windows
- Also fits 1973 Chevrolet Blazer, GMC Jimmy, & Suburban with manual crank windows

111076 | Left Hand

1 Pc. / Each

111077 | Right Hand

1 Pc. / Each

