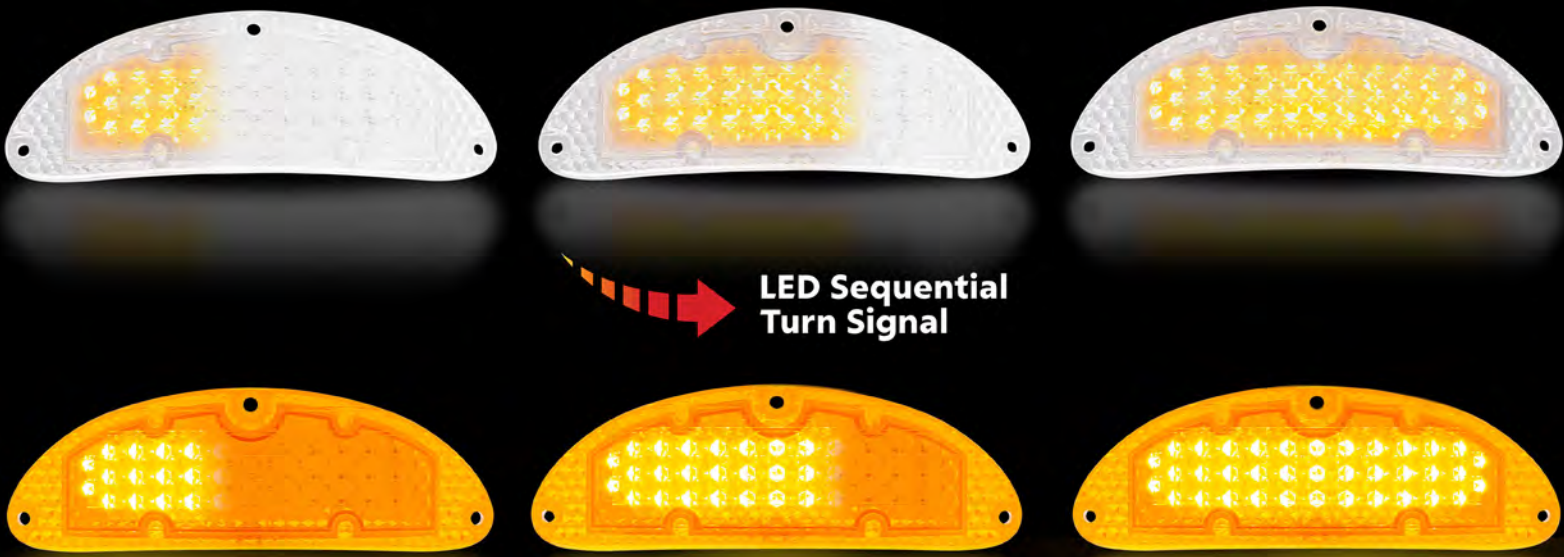


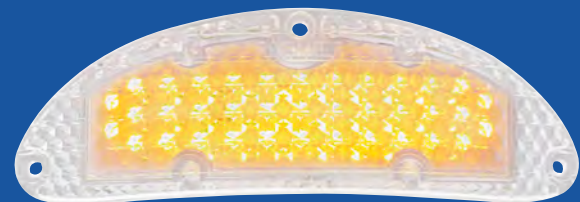
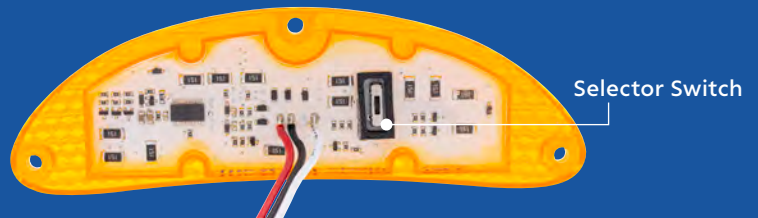
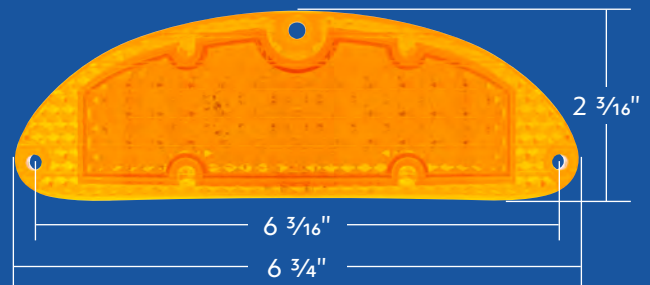
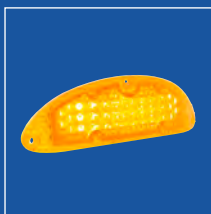
NEW ITEMS // December 2022


37 LED Sequential Parking Light

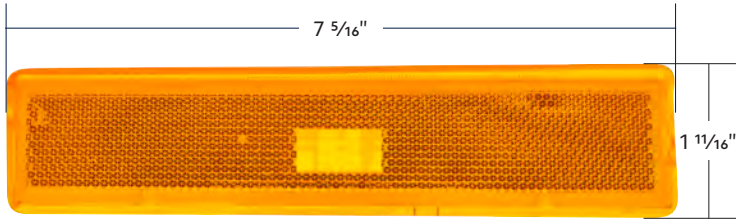
1955 Chevy Passenger Car

- Super bright amber LED with high quality injection molded acrylic lens
- Features sequential function with selector switch to control sequential function off/on
- Epoxy coated, fully sealed electronics
- Easy electrical connection with 1157 plug, no modification to vehicle
- Energy efficient solid-state circuit board engineered for 12V DC systems
- Lens gasket sold separately item #C5536
- Recommend to upgrade under dash flasher to item #90652 or #90649 LED flasher
- Selector switch positions: up=sequence left to right, center=sequential function off, down=sequence right to left

111036	37 LED Seq Park Light - Amber	1 Pc. / Card
111037	37 LED Seq Park Light - Clear	1 Pc. / Card



T 866.327.5288 | F 888.986.6088 | UPcarparts.com

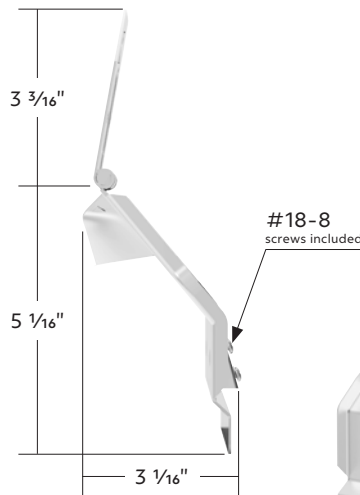
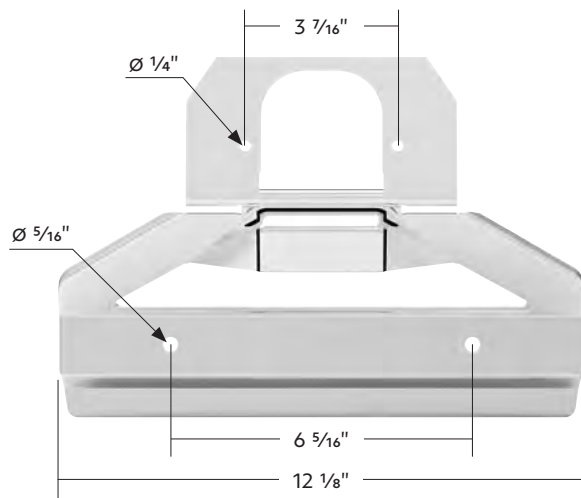


Front Side Marker Light

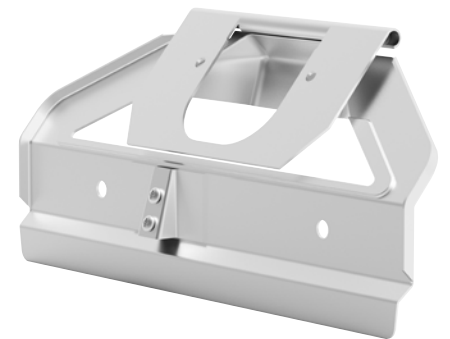
1980-1986 Ford Truck

- High quality polycarbonate lens with original style lens pattern
- Durable plastic rear housing with OE style light socket opening (socket & bulb not included)
- Easy installation, mounts directly onto fender sidemarker pocket like OE

111091	Amber Lens	Left Hand	1 Pc. / Each
111092	Amber Lens	Right Hand	1 Pc. / Each



Recommended Item 110922



304 Stainless Steel License Plate Bracket

1966-1977 Ford Bronco

- Heavy gauge steel reproduction of the original rear license plate bracket
- Features spring mounting base and screws, for flip-out position when tailgate is down
- Precision punched screw hole and license plate light bracket clearance pocket
- Highly polished 304 premium grade stainless steel

110880	SS License Plate Bracket	1 Pc. / Each
---------------	--------------------------	--------------



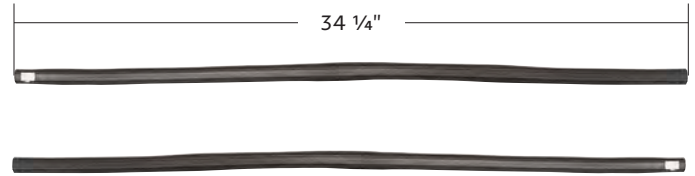


Rubber Door Glass Run With Window Post Liner

1981-1991 Chevy & GMC Truck

- Made of high quality long lasting UV resistant synthetic rubber
- Original style profile and mounting clip for easy installation
- Pre-applied window glass felt on inner sidewalls

110948	Left Hand	1 Pc. / Each
110949	Right Hand	1 Pc. / Each



Window Post Liner

1973-1980 Chevy & GMC Truck

- Made of high quality long lasting UV resistant synthetic rubber
- Original style profile and mounting clip for easy installation
- Pre-applied window glass felt on inner sidewalls

110942	Left Hand	1 Pc. / Each
110943	Right Hand	1 Pc. / Each

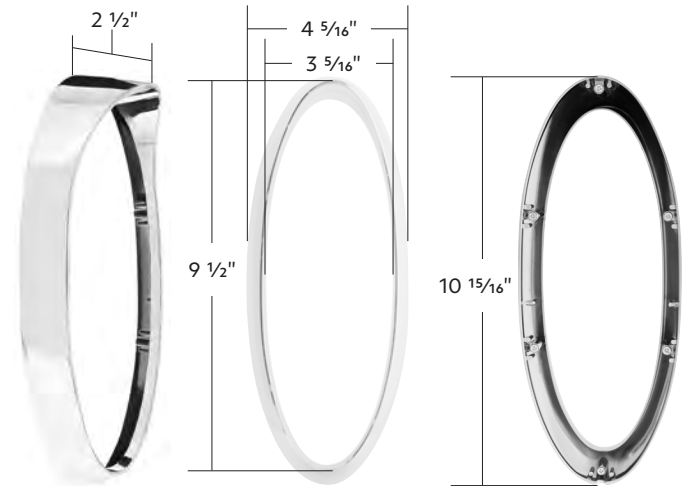


Rubber Door Glass Run

1973-1980 Chevy & GMC Truck

- Made of high quality long lasting UV resistant synthetic rubber
- Original style profile and mounting clip for easy installation
- Pre-applied window glass felt on inner sidewalls

110941	Rubber Door Glass Run	1 Pc. / Each
---------------	-----------------------	--------------



Chrome Plated Tail Light Bezel

1954 Chevy Passenger Car

- Beautiful high quality chrome plated finish with triple chrome plating process
- High quality die-cast with identical contour as original.
- Also fits Panel Truck and Suburban
- Matching chrome plated mirror head available separately, item #C476901, C477202
- Matching gloss black mirror head available separately, item #C477201, C476903B

C5404	Chrome Plated Tail Light Bezel	1 Pc. / Each
--------------	--------------------------------	--------------



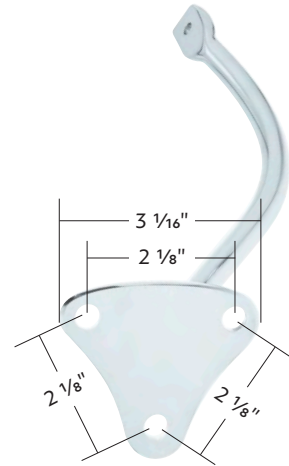
Chrome Exterior Mirror Arm

1955-1959 Chevy & GMC 2nd Series Truck

- Beautiful high quality chrome plated finish with triple chrome plating process
- High quality die-cast with identical contour as original
- Also fits Panel Truck and Suburban
- Matching chrome plated mirror head available separately, item #C476901, C477202
- Matching gloss black mirror head available separately, item #C477201, C476903B
- Sold individually, please specify left-hand or right-hand side

C555943 | Left Hand
C555944 | Right Hand

1 Pc. / Each
1 Pc. / Each



Kit Includes	
Item	QTY
9/16"-12 x 6" Long Hex Bolt	2
2" OD Flat Washer	12
3" OD Rubber Mount	4
2.4" Rubber Mount	2
2.3" Long Steel Sleeve	4
2.3" OD Rubber Donut	2
1.5" Long Steel Sleeve	2
2.4" OD Rubber Cone	4
9/16"-12 Nylon Insert Locknut	2
7/16"-14 Nylon Insert Locknut	4
7/16"-14 x 5.5" Long Hex Bolt	2
7/16"-14x 3.5" Long Hex Bolt	2
2.5" OD Flat Washer	2



Cab & Radiator Support Mounting Kit

1967-1972 Chevy & GMC Truck 1/2-Ton Truck

- Quality molded rubber mounts for cab and radiator support
- Includes all mounting bolts, lock nuts, spacers and large washers
- 44 piece kit
- Note: radiator support mounts are for 1969-72 Chevy & GMC truck

110997 | Cab & Radiator Mounting Kit | **1 Pc. / Wbox**

Kit Includes	
Item	QTY
9/16"-12 x 6" Long Hex Bolt	2
2" OD Flat Washer	8
3" OD Rubber Mount	4
2.3" Long Steel Sleeve	4
2.4" OD Rubber Cone	4
9/16"-12 Nylon Insert Locknut	2
7/16"-14 x 5.5" Long Hex Bolt	2
2.5" OD Flat Washer	2
7/16"-14 Nylon Insert Locknut	2



Cab Mounting Kit

1967-1972 Chevy & GMC 1/2-Ton Truck

- Quality molded rubber cab mounts
- Includes all mounting bolts, lock nuts, spacers and large washers
- 30 piece kit

C677204 | Cab Mounting Kit | **1 Pc. / Set**