



## 26 LED Sequential Tail Light

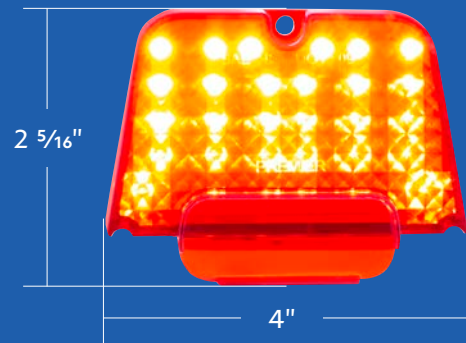
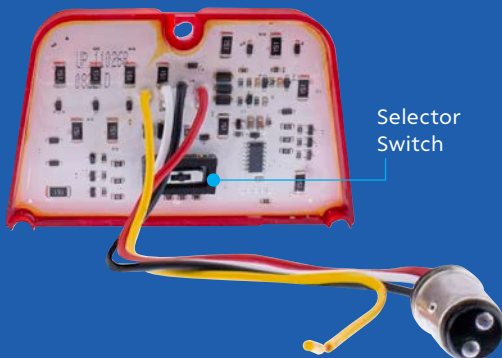
**1962-1964 Chevy Nova**

- Super bright red LED with high quality injection molded polycarbonate lens
- Epoxy coated, fully sealed electronics
- Easy electrical connection with 1157 plug, no modification to vehicle
- Energy efficient solid-state circuit board engineered for 12V DC systems
- LED compatible flasher required for proper operation, item #90652 or 90649
- Features sequential operation with selector switch to select sequential left, sequential right, or sequential function off
- Also features brake attention option with sequence-once function

**110268** | 26 LED Sequential Tail Light

| 1 Pc. / Card

**26LEDs**



## 32 LED Backup Light

**Recommended Item #CBL6264LED**



View at our booth

**SEMA SHOW 2022**

**Booth #23277 in Hot Rod Alley**

T 866.327.5288 | F 888.986.6088 | [UPcarparts.com](http://UPcarparts.com)



35887



35888



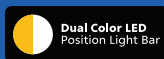
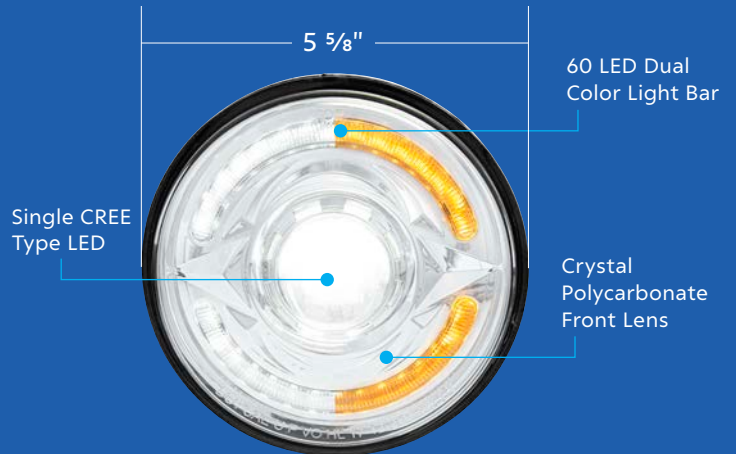
# ULTRALIT™

## 30 LED 5-3/4" Round Headlight W/ 60 LED Dual Color Light Bar

### 5-3/4" Round Headlight

- Single CREE type LED with bright 1000 lumens output
- Features 30 dual color LEDs, bright white and amber LED position light bars
- Amber LEDs automatically overrides white LEDs when powered, perfect for use as turn signal
- Beautiful crystal polycarbonate front lens
- Reinforced aluminum reflector, rugged anti-vibration construction
- Perfect for all 4 headlamp systems in cars and trucks.
- Easy plug-in design with H4 plug for main high beam/low beam function
- Wiring required for white and amber LED position light  
Wiring code: Yellow wire=Amber LEDs,  
Red wire=White LEDs
- 12-24V DC compatible
- DOT/SAE, FMVSS 108

<b>35887</b>	Amber/White	Low Beam	1 Pc. / Cbox
<b>35888</b>	Amber/White	High Beam	1 Pc. / Cbox



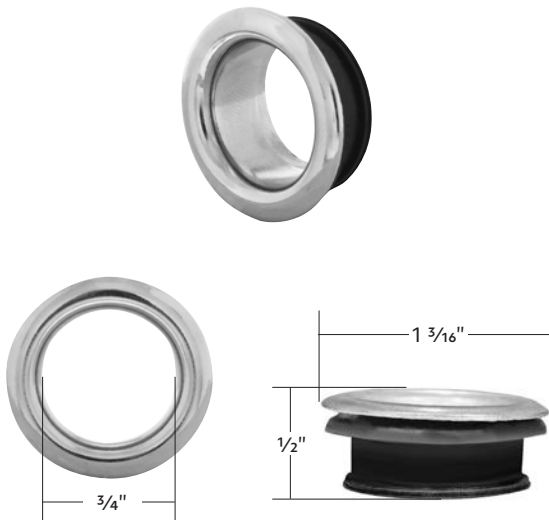


**Exterior Door Handle**

1973-1991 Chevrolet & GMC Truck

- Chrome plated finish with triple chrome plating process
- Designed to fit and function like OE part
- Also fits 1973-1991 Chevrolet Blazer/Suburban & GMC Jimmy/Suburban
- Includes rubber mounting gaskets, two 1/4"-28 x 1-1/8" studs, and two nuts for installation

**111058** | Left Hand | 1 Pc. / Each  
**111059** | Right Hand | 1 Pc. / Each

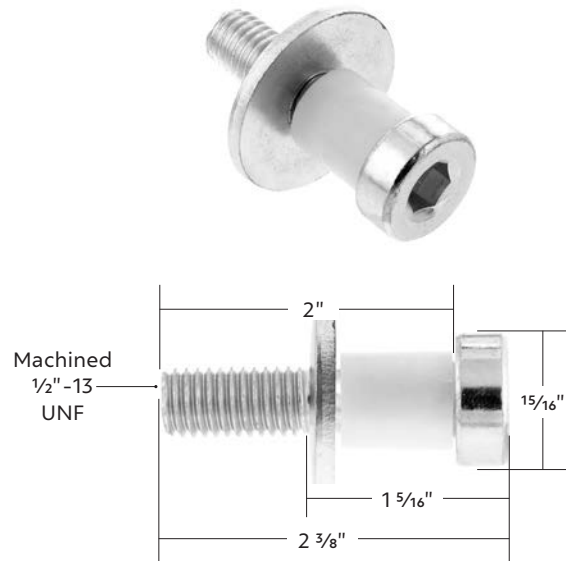


**304 SS Door Handle Ferrule**

1938-1946 Chevrolet Passenger Car/Truck

- Premium grade 304 stainless steel
- Original style shape and size
- Rubber grommet included

**C384001** | 304 Stainless Steel | 1 Pc. / Each

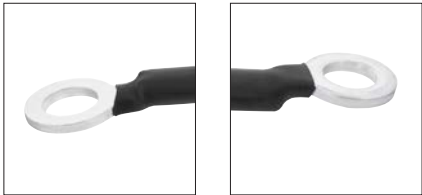
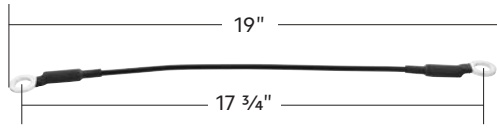


**2" Long Door Striker Bolt, 1/2"-13 Thread**

1973-1991 Chevrolet & GMC Truck

- Direct replacement for OE striker bolt
- Includes 0.14" thick metal flat washer and 0.70" O.D. nylon sleeve
- 2" long bolt, 1/2"-13 thread

**111069** | 1/2"-13 thread | 1 Pc. / Each

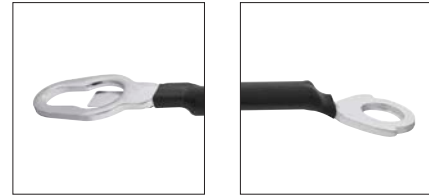
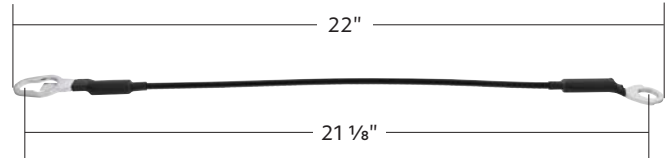


**17-3/4" Tailgate Cable**

**1980-1996 Ford Bronco**

- Measures 17-3/4" center to center between two eyebolts
- Heavy duty 5/32" thick eyebolts with 19/32" inside diameter opening
- Steel inner cable with quality black nylon outer sleeve

**111035 | Tailgate Cable 17-3/4" | 1 Pc. / Each**

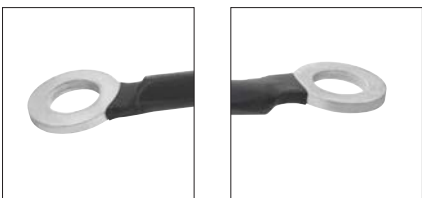
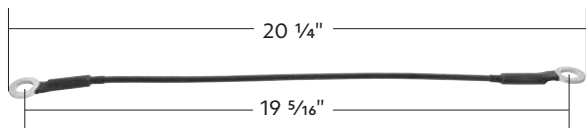


**21-1/8" Tailgate Cable**

**1983-1997 Ford F-150 Truck**

- Measures 21-1/8" center to center between two eyebolts
- OE style quick release eyebolt with locking spring plate
- Heavy duty 5/32" thick eyebolts with 19/32" inside diameter opening
- Steel inner cable with quality black nylon outer sleeve
- Fits F-100 (1983), F-150 (1983-1996), and F-250/F-350 (1983-1997)

**111034 | Tailgate Cable 21-1/8" | 1 Pc. / Each**

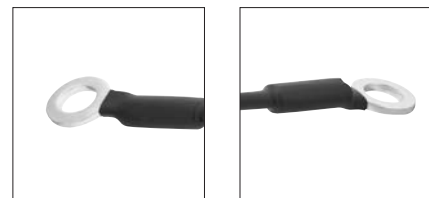
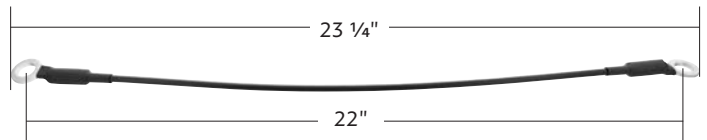


**19-5/16" Tailgate Cable**

**1973-1989 Chevrolet C10 Truck & GMC Suburban**

- Measures 19-5/16" center to center between two eyebolts
- Heavy duty 3/16" thick eyebolts with 9/16" inside diameter opening
- Steel inner cable with quality black nylon outer sleeve

**111070 | Tailgate Cable 19-5/16" | 1 Pc. / Each**

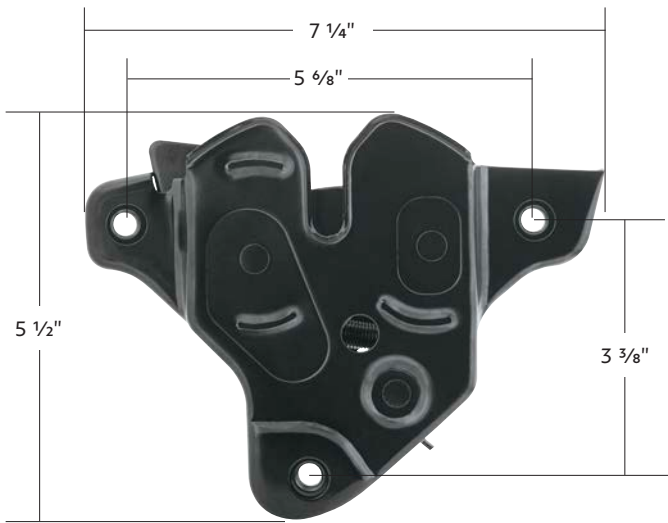


**22" Tailgate Cable**

**1973-1991 Chevy Blazer & 1973-1991 GMC Jimmy**

- Measures 22" center to center between two eyebolts
- Heavy duty 5/32" thick eyebolts with 19/32" inside diameter opening
- Steel inner cable with quality black nylon outer sleeve

**111071 | Tailgate Cable 22" | 1 Pc. / Each**



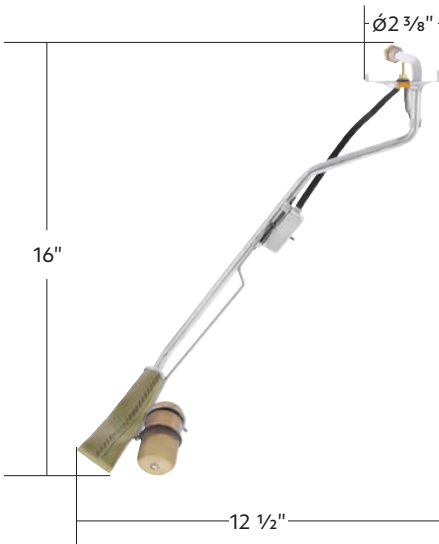
### Hood Latch

1977-1980 Chevrolet & GMC Truck

- Direct OEM replacement
- Black EDP coated to protect against corrosion
- For vehicles with inside hood latch release
- Straight forward installation w/ 3/8"-16 welded square nuts
- Also fits other GM applications, please check our application list

111066 | Black

1 Pc. / Each



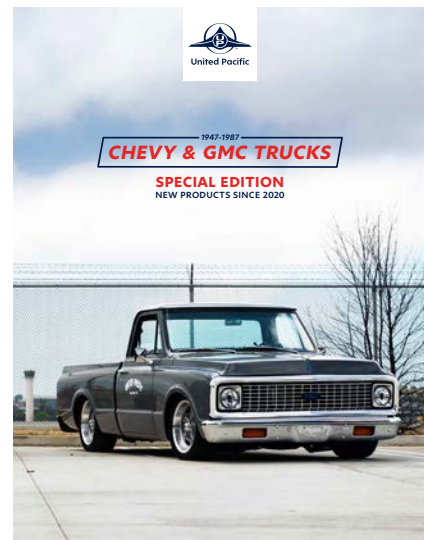
### Fuel Sending Unit

1967-1971 Chevy & GMC Truck With V8

- Made with corrosion resistant stainless steel sheet
- Brass float just like the original
- Includes rubber seal, stainless steel lock ring, and strainer
- 3/8" diameter fuel line inlet

111044 | Fuel Sending Unit

1 Pc. / Each



### Ford Bronco & Chevy C10 Catalog

SEMA 2022

- Collection of Ford Bronco and Chevy C10 parts and accessories United Pacific has to offer
- Also available as digital download on our web site's Catalogs & Flyers section

ACSEMA2022 | Catalog

1 Pc. / Each