



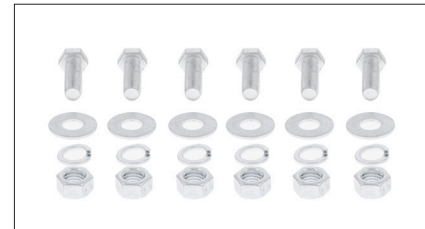
# NEW ITEMS



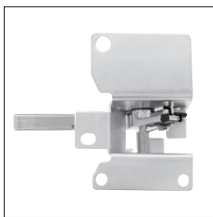
1981-1987 Chevy & GMC Fleetside Truck

## Rear Bumper Bracket Kit

- Heavy duty 9 gauge steel reproduction
- Precision punched mounting holes
- Black EDP coating for durability
- Mounting hardware included



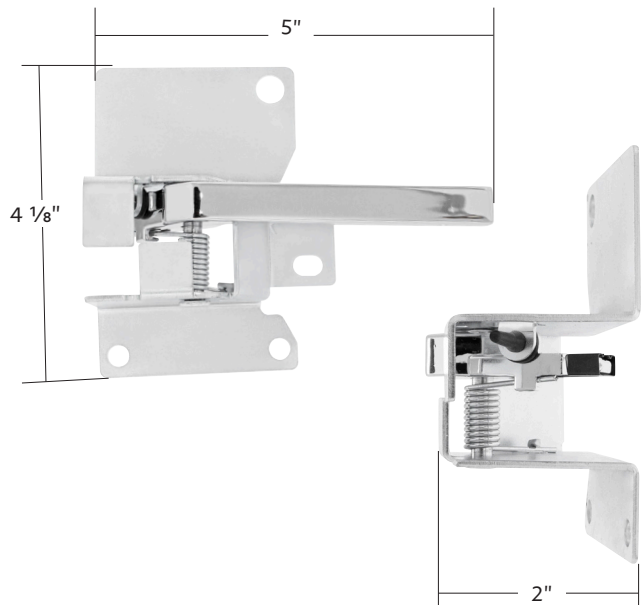
**110930** Rear Bumper Bracket Kit Wbox



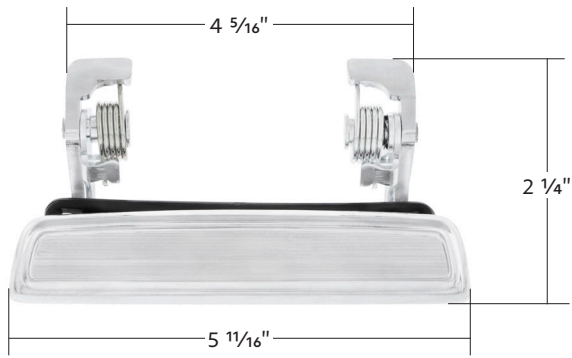
1981-1987 Chevy & GMC Truck

## Inside Door Handle

- Beautiful high quality chrome plated finish with triple chrome plating process
- Zinc die-cast handle with nicely rounded edges for durability and comfort
- Original style mounting bracket with quality coil spring
- Also fits 1981-91 Chevy/GMC Suburban, 1981-86 K5 Blazer, 1987-91 Blazer, and 1981-1991 Jimmy



<b>110978</b>	Left Hand	1 Pc. / Each
<b>110979</b>	Right Hand	1 Pc. / Each



1978-1979 Ford Bronco & 1973-1979 Ford Truck

### Outside Door Handle

- Beautiful chrome plated finish with triple chrome plating process
- Quality zinc die-cast with original contour and features
- Feature original horizontal line design detail on the handle
- Rubber pad, mounting studs with matching serrated flange nuts included for easy installation
- OE style inner arm design for straight forward door latch rod connection

<b>110969</b>	<b>Left Hand</b>	1 Pc. / Each
<b>110970</b>	<b>Right Hand</b>	1 Pc. / Each



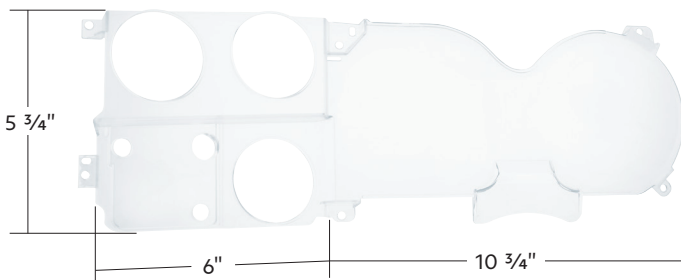
Recommended Item 110922

1966-1977 Ford Bronco

### Black EDP License Plate Bracket

- Heavy gauge steel reproduction of the original rear license plate bracket with screws
- Features spring mounting base for flip-out position when tailgate is down
- Precision punched screw hole and license plate light bracket clearance pocket
- Fits standard US license plate with 6 15/16" mounting hole spacing
- Recommended Item #110922: 4 White LED License Plate Light with 304 Stainless Steel Bracket
- Overall dimensions length 12 1/8" by height 8 1/4"

<b>110881</b>	<b>Black</b>	1 Pc. / Each
---------------	--------------	--------------

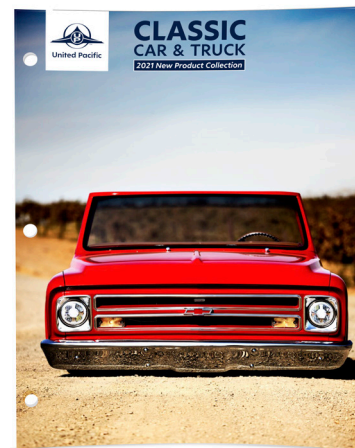


1973-1987 Chevy & GMC Truck

### Clear Acrylic Instrument Cluster Lens

- Quality crystal clear acrylic lens
- Perfect for replacing that old cracked gauge cluster lens
- Easy to install with original style design and mounting tabs
- Gauges without clock

<b>110963</b>	<b>Clear Instrument Cluster Lens</b>	1 Pc. / Each
---------------	--------------------------------------	--------------



### 2021 Classic New Item Flyer Collection

- Collection of United Pacific's 2021 new items for classic car and truck

<b>ANF1221</b>	<b>2021 New Product Collection</b>	1 Pc. / Each
----------------	------------------------------------	--------------







### United Pacific Calligraphy T-Shirt

- 100% cotton black t-shirt
- One color white print, custom calligraphy
- Printed interior neck label

<b>99306M</b>	Medium	1 Pc. / Each
<b>99306L</b>	Large	1 Pc. / Each
<b>99306XL</b>	X-Large	1 Pc. / Each
<b>99306XXL</b>	XX-Large	1 Pc. / Each



### Calligraphy C10 T-Shirt

- 100% cotton tan t-shirt
- One color gray print, custom calligraphy lettering and 71' C10 graphic
- Printed interior neck label

<b>99307M</b>	Medium	1 Pc. / Each
<b>99307L</b>	Large	1 Pc. / Each
<b>99307XL</b>	X-Large	1 Pc. / Each
<b>99307XXL</b>	XX-Large	1 Pc. / Each

