

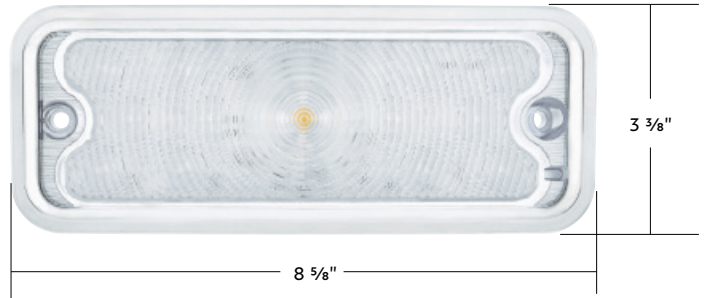


NEW ITEMS

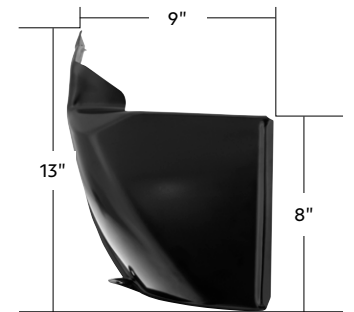
Clear Front Parking Light & Housing For 1973-80 Chevy & GMC Truck

17 Amber LED Front Parking Light With Clear Lens

- High quality injection molded polycarbonate lens
- Fully epoxy sealed electronics to resist corrosion and moisture
- Feature 17 bright SMD type amber LEDs
- Beautiful stainless steel trim
- Dual function with parking light & bright turn signal
- Easy electrical connection with 1157 plug, no modification to vehicle
- Some applications may require the indexing tab to be removed
- DOT/SAE, FMVSS 108



110964	Clear Lens / Amber LED	NEW	1 Pc. / Color Box
110965	Clear Lens / Amber LED	NEW	1 Pc. / Color Box
110885	Amber Lens / Amber LED		1 Pc. / Color Box
110886	Amber Lens / Amber LED		1 Pc. / Color Box



Rear Fender Inner Splash Shield For 1967-72 Chevy & GMC Truck Fleetside

- Quality die stamped 17 gauge steel reproduction
- Features original design features and precision punched mounting holes
- Black painted with e-coating process to help protect against rust
- Also fits 1969-72 Chevy Blazer, and 1970-72 GMC Jimmy

110961	L/H 1 Pc. / Each
110962	R/H 1 Pc. / Each

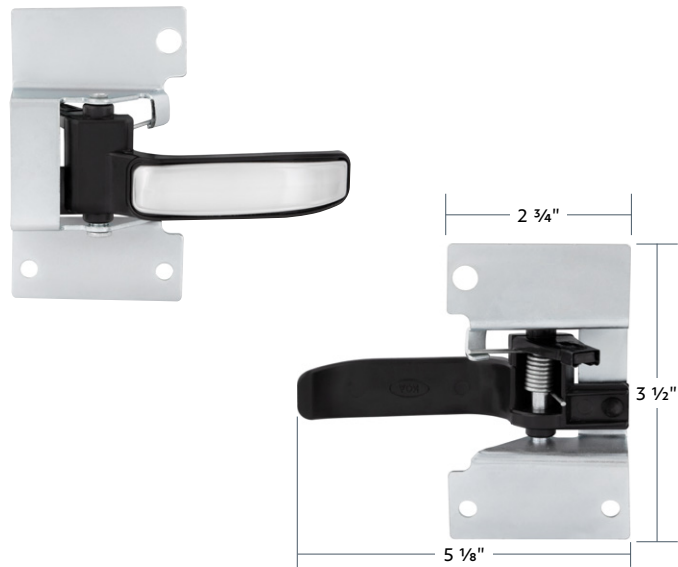


Hood Pivot Hinge For 1981-1987 Chevy & GMC Truck

- Heavy duty steel reproduction of the original hood pivot hinge with machine riveted base bracket
- Precision punched mounting holes for easy and straight forward installation
- Features original style strengthening ribs design
- Finished with black EDP protective coating to keep your new steel fresh and rust-free
- Also fits 1981-1991 Chevy Blazer and GMC Jimmy, 1987-1991 Chevy & GMC Suburban

110995 L/H 1 Pc. / Each

110996 R/H 1 Pc. / Each



Interior Door Handle For 1977-80 Chevy & GMC Truck

- Quality OE style reproduction plastic handle with steel mounting bracket
- Precision punched mounting holes for straight forward installation
- Durable aluminum handle cover with brushed look
- Original style latch rod attachment design

110976 L/H 1 Pc. / Each

110977 R/H 1 Pc. / Each



Black Polymer Battery Hold Down Bracket For Ford Bronco & Truck

- Made of quality thermoplastic polymer, reinforced with glass fiber
- Features original design with reinforcing rib structures and contour
- Two zinc plated J-bolts with matching serrated flange nuts included

110982 Bronco 1970-77 & Truck 1965-72 1 Pc. / Each

110983 Bronco 1978-79 & Truck 1973-79 1 Pc. / Each

