



United Pacific

2023 New Product Collection

CLASSIC CAR & TRUCK



ALL-IN-ONE DEALER PORTAL

ONE-STOP ONLINE BUYING EXPERIENCE.

Browse Parts. Place Orders. Manage Account.

Everything is now in one place for you to manage accounts and unlock the power of seamless transactions with our One-Stop Online Buying Experience.

Here's what awaits you:



Place & Track Orders



View Invoices



Initiate Returns



Check Inventory Status



Back Order



Quick Access

MORE CONTROL

All the tools you need, consolidated in one user-friendly platform. Browse our extensive catalog, place orders seamlessly, and take control of your account with unparalleled ease.



WHO WE ARE

Founded in 1984, United Pacific Industries began as a small parts shop in El Segundo, California. Today, after nearly 40 years, UPI is an industry leader in the design and manufacturing of high-quality parts for big rigs and classic vehicles. Family owned and operated since the beginning, our passionate staff remains committed to developing outstanding products and providing superior service.

OUR MISSION & VALUE

United Pacific is a team of enthusiastic individuals dedicated to providing today's drivers with exciting, pioneering products that deliver exceptional performance and value. We are always learning, keeping up with industry trends and technology to develop the hardworking parts our clientele expects and deserves. Innovative design is our passion, and superior service is our promise, translating into our core values.



AUTHORIZED UNITED PACIFIC DEALER

To order from United Pacific Industries, you must be an authorized dealer, distributor or OEM. If you are not authorized to stock and sell United Pacific products, you must order through an authorized dealer. Please call 866.327.5288 for more information.

CONTACT US & HOURS



888.986.6088 / 562.425.3632



866.327.5288 / 562.425.5588



8 am - 4:30 pm PST



antique@upauto.com



classic.upauto.com



3788 E. Conant St.,
Long Beach, CA 90808



3827 N. McDonald St.,
McKinney, TX 75071



Long Beach, California



GLOBAL & GROWING

Headquartered in Long Beach, CA, just minutes from the largest shipping port in North America, United Pacific is an international company with additional offices in Taiwan and China.

In addition to warehouses in California, United Pacific has opened a state-of-the-art 280,000 sq ft facility in McKinney, Texas. This cutting-edge IT infrastructure fulfillment center will offer seamless order processing to our valued dealers.

We serve classic auto and semi-truck dealers; and automotive enthusiasts throughout North, Central, and South America, Australia, and across the Asia-Pacific region.



McKinney, Texas



HIGH QUALITY PARTS

At United Pacific Classic Division, we are passionate about preserving the legacy of classic automobiles. We offer over 7,000 meticulously crafted products designed to help classic car enthusiasts restore, upgrade, and maintain everyone's beloved vintage cars. With a commitment to quality and authenticity, we continuously design new products by incorporating the latest technology and conduct rigorous testing before their release. Additionally, we regularly upgrade items in our current catalog for classic Ford, Chevrolet, and GMC trucks and cars.



United Pacific strives to provide today's drivers with exciting products that deliver exceptional performance and value. With our international background and expertise, we search the globe for the best and most reliable products. Although the components are manufactured overseas, the products, bearing the "Assembled in the USA" labels, are hand assembled with pride in the United States.



INVENTORY & SHIPPING

No other company can match UPI's variety and range of in-stock inventories.

Our outstanding shipping department has an order fill rate of over 98.5%, with 96.8% of all orders fulfilled within 24 hours, and 98.9% within 48 hours. Our drop-shipping program will give you access to quick and easy shipping solutions for your customers. Additionally both California and Texas warehouse locations will offer enhance service to dealers and customers across the United States.



Order fulfillment within 24 hours, 99% within 48 States.



Satisfied with our Customer Service team.



Satisfied with United Pacific's products & services.

Data source: Based on UPI customer survey in February 2022.



SUSTAINABILITY

United Pacific Industries takes great pride in our environmental stewardship and has taken proactive steps to ensure our footprint remains as small as possible. Our green initiatives throughout our state-of-the-art headquarters and warehouses have resulted in the prestigious LEED Platinum Certification for the building.

- Electrical vehicle charging stalls.
- Preferred parking for low-emitting, fuel-efficient, and carpool vehicles.
- On-site stormwater infiltration and treatment minimize environmental impact on local waterways.
- 30% water savings with a high-efficiency irrigation system using 100% reclaimed water.
- All corrugated cardboard is recycled.
- Tesla solar panels to help power our office and warehouse.



INDOOR ENVIRONMENTAL QUALITY

Building ventilation system was designed to provide enhanced levels of fresh outside air to building occupants. Interior finishes (paints, sealants, adhesives, coatings, carpet systems, and composite wood) were selected with low levels of volatile organic compounds (VOCs) to reduce indoor air contamination.





Black Auxiliary Battery Tray

1981-1987 Chevrolet & GMC Truck

- Excellent steel reproduction of the original design
- Heavy duty 13 gauge stamped steel battery tray with 17 gauge support bracket welded on the bottom
- Black powder coated to protect against corrosion
- Precision punched mounting holes
- For models equipped with auxiliary battery on the driver side

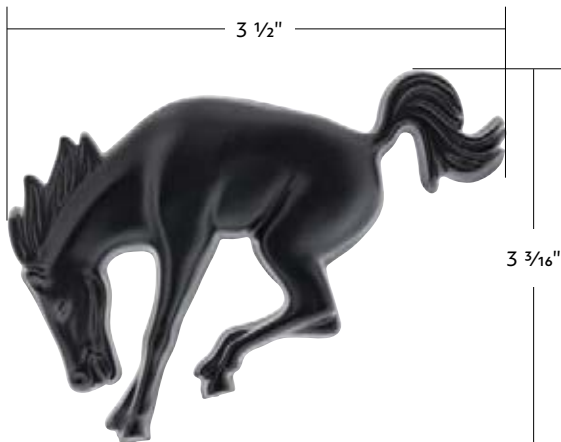
110137 | Black Auxiliary Battery Tray | 1 Pc. / Each



Heavy Duty
Metal
Construction



EDP Coating
Protection



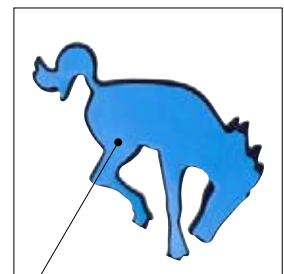
Plastic Bucking Horse Emblem

Matte Black

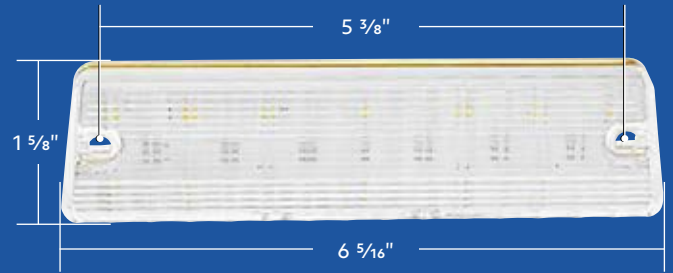
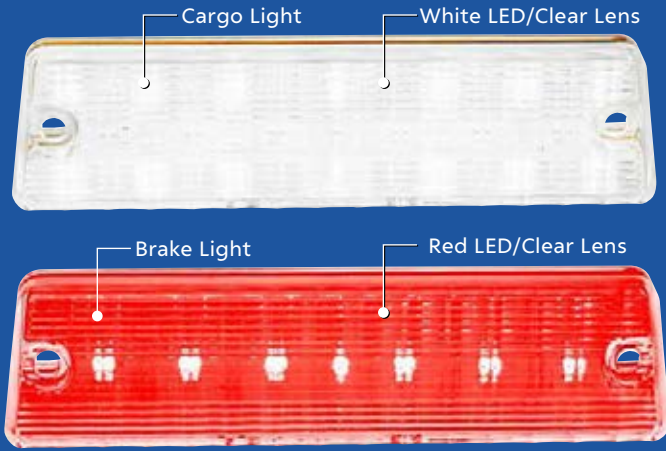
- Quality injection molded plastic with beautiful details
- Easy installation with pre-applied double sided tape

50131 | Bucking Horse Emblem - Matte Black | 1 Pc. / Card

50130 | Bucking Horse Emblem - Chrome | 1 Pc. / Card



Pre-applied double stick tape



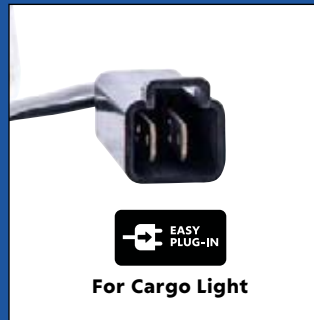
21 LED Cargo & Brake Light

1988-1993 Chevy & GMC Truck

- 14 white LED cargo light with integrated 7 red LED 3rd brake light feature
- Easy plug-in design with OE style plug for cargo light
- Third brake light requires additional wiring. Wiring instructions included
- Epoxy coated, fully sealed electronics
- Energy efficient solid-state circuit board engineered for 12V DC systems
- Lifetime warranty on LED diodes

110549 | 21 LED Cargo & Brake Light

| 1 Pc. / Card



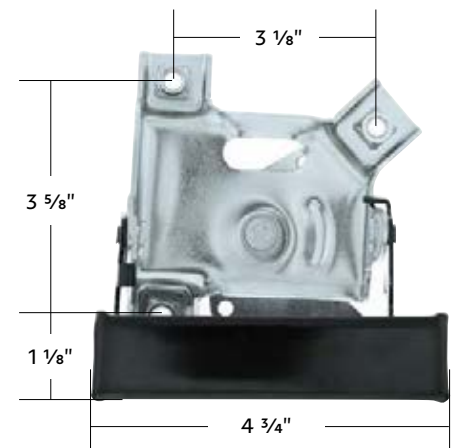
Tailgate Handle

1981-1991 Chevy & GMC Fleetside Truck

- Excellent steel reproduction with all of the original contour and detail
- Easy installation with OE spec welded square nuts
- Black painted handle with rolled edges just like original

111067 | Tailgate Handle

| 1 Pc. / Each





36 LED Sequential Tail Light

1970-1972 Chevy El Camino/Station Wagon

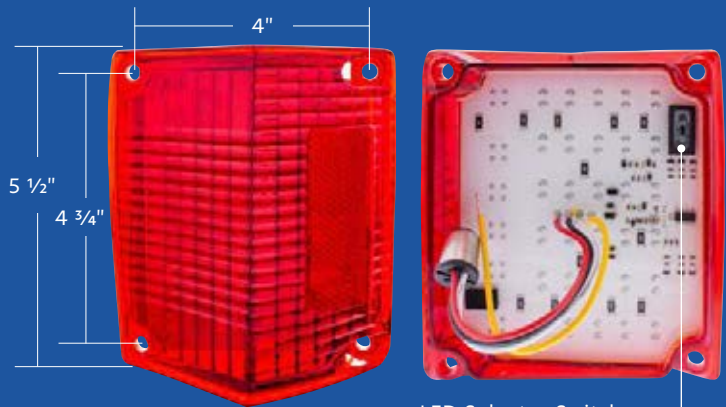
- Super bright LED with high quality injection molded polycarbonate lens
- Dual function with tail light and bright stop/turn signal
- Features sequential operation with brake attention feature, and selector switch to turn off if desired
- Epoxy coated, fully sealed electronics
- Easy electrical connection with 1157 plug, no modification to vehicle
- LED compatible flasher required for proper operation, item #90652 or 90649

110547 | Left Hand

110548 | Right Hand

1 Pc. / Card

1 Pc. / Card



LED Selector Switch





Parking Light

1981-1982 Chevy & GMC Truck

- Quality reproduction with original style lens design
- Injection molded rear housing with mounting tabs for easy installation

111088 | Left Hand
111089 | Right Hand

1 Pc. / Each
1 Pc. / Each



Manual Window Regulator

1977-1991 Chevy & GMC Truck

- Excellent quality high strength steel stamping
- Original style counter balance spring design, OE spec spline shaft, and quality nylon rollers
- Features 1/4"-20 square nuts for easy installation to door shell
- Not for vehicles equipped with power windows
- Also fits 1977-1991 Chevrolet Blazer, GMC Jimmy, & Suburban with manual crank windows
- Will not fit 1988-1991 Chevrolet C/K and GMC Sierra trucks

111080 | Left Hand
111081 | Right Hand

1 Pc. / Each
1 Pc. / Each





Manual Window Regulator

1974-1976 Chevy & GMC Truck

- Excellent quality high strength steel stamping
- Original style counter balance spring design, OE spec spline shaft, and quality nylon rollers
- Features 1/4"-20 square nuts for easy installation to door shell
- Not for vehicles equipped with power windows
- Also fits 1974-1976 Chevrolet Blazer, GMC Jimmy, & Suburban with manual crank windows

111078 | Left Hand

1 Pc. / Each

111079 | Right Hand

1 Pc. / Each



Manual Window Regulator

1973 Chevy & GMC Truck

- Excellent quality high strength steel stamping
- Original style counter balance spring design, OE spec spline shaft, and quality nylon rollers
- Features 1/4"-20 square nuts for easy installation to door shell
- Not for vehicles equipped with power windows
- Also fits 1973 Chevrolet Blazer, GMC Jimmy, & Suburban with manual crank windows

111076 | Left Hand

1 Pc. / Each

111077 | Right Hand

1 Pc. / Each





111112 Tail Light Set With Trim* Pair / Wbox



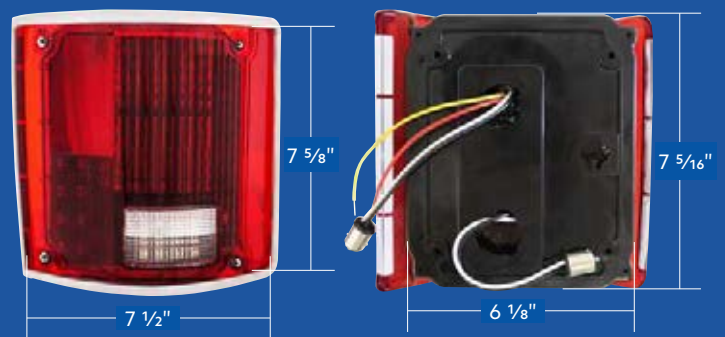
111113 Tail Light Set Without Trim Pair / Wbox



LED Sequential Tail Light (Pair)

1973-1987 Chevy & GMC Truck

- #111112 set includes L/H #110843 & R/H #110844 pair pre-packed in one box for shipping
- #111113 set includes L/H #CTL7387LED-L and R/H #CTL7387LED-R pair pre-packed in one box for shipping
- 56 super bright red LED tail light w/ 12 LED white back-up light
- Quality stamped aluminum trim w/ clear anodizing (#111112 only)
- Features sequential operation with brake attention feature, and selector switch to turn off if desired
- Special tail light mounting base plate included
- Electronics completely sealed in epoxy to resist corrosion and moisture
- LED compatible flasher required for proper operation, item #90652 or #90649
- Modification required to internal bracket on Suburban models



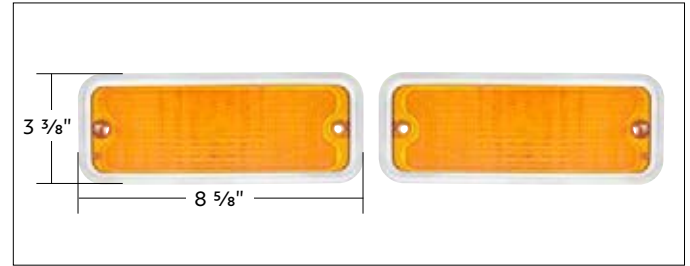
17 Amber LED Front Parking Lights With SS Trim - Amber Lens (Pair)

1973-1980 Chevy & GMC Truck

- Set includes L/H #110885 & R/H #110886 pair pre-packed in one box for shipping
- High quality injection molded polycarbonate lens
- Fully epoxy sealed electronics to resist corrosion and moisture
- Features 17 bright SMD type amber LEDs
- Beautiful stainless steel trim
- Dual function with parking light & bright turn signal
- Easy electrical connection w/ 1157 plug, no modification to vehicle
- Some applications may require the indexing tab to be removed
- LED compatible flasher required for proper operation, item #90652 or #90649
- DOT/SAE, FMVSS 108

111108 | Amber Lens

Pair / Wbox



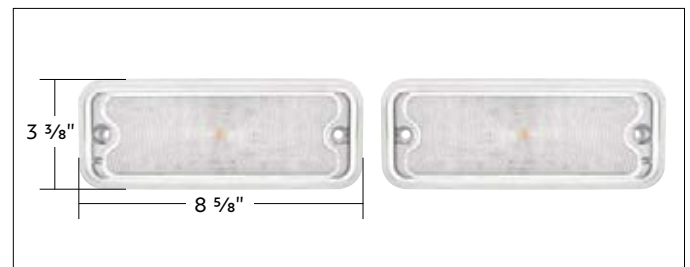
17 Amber LED Front Parking Lights With SS Trim - Clear Lens (Pair)

1973-1980 Chevy & GMC Truck

- Set includes L/H #110964 & R/H #110965 pair pre-packed in one box for shipping
- High quality injection molded polycarbonate lens
- Fully epoxy sealed electronics to resist corrosion and moisture
- Features 17 bright SMD type amber LEDs
- Beautiful stainless steel trim
- Dual function with parking light & bright turn signal
- Easy electrical connection w/ 1157 plug, no modification to vehicle
- Some applications may require the indexing tab to be removed
- LED compatible flasher required for proper operation, item #90652 or #90649
- DOT/SAE, FMVSS 108

111109 | Clear Lens

Pair / Wbox

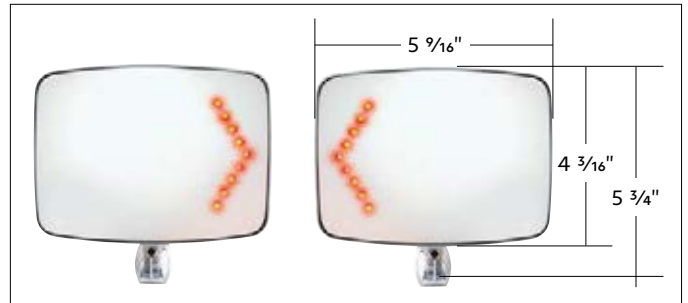


Exterior Mirror Bundle With LED Turn Signal (Pair)

1973-1987 Chevy & GMC Truck

- Bundle includes #C738710-LED & #C738710-CVXLED pair pre-packed in one box for shipping
- Exceptional quality die-cast & beautiful chrome plated D49 style mirror arm & housing
- Includes mounting pad, mounting bracket and screws
- Special behind-the-mirror LED design, hidden when not in use
- Features convex mirror for wide angle visibility (#C738710-CVXLED)
- LED turn signal arrow for safety & visibility when changing lanes
- Easy 12V hookup, just route wire through door jamb & connect to front turn signal wires under dash near steering column

111111 | Exterior Mirror Bundle W/ LED TS | Pair / Wbox

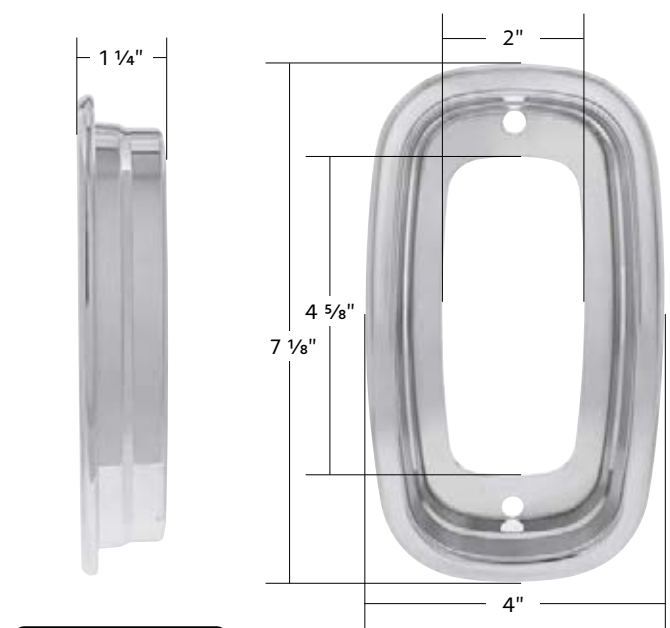


30 LED Backup Lights (Pair)

1967-1972 Chevy & GMC Truck

- Set includes L/H #110200 & R/H #110201 pair pre-packed in one box for shipping
- Quality polycarbonate lens with Bullseye lens pattern
- Super bright white LEDs w/ epoxy coated 12V DC electronics
- Easy plug-in design w/ 1156 plug, no modification to vehicle

111110 | 30 LED Backup Light Set | Pair / Wbox



Chrome Die-Cast Tail Light Bezel

1960-1966 Chevy Fleetside Truck

- Quality die-cast with beautiful chrome plated finish
- Original style with mounting holes for easy installation

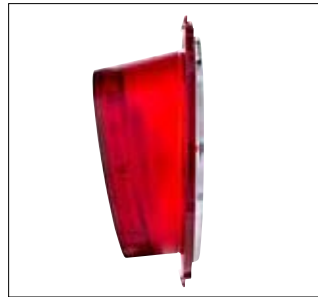
111090 | Chrome Die-Cast Tail Light Bezel | 1 Pc. / Wbox

30 LED Tail Lights (Pair)

1970-1973 Chevy Camaro

- Set includes L/H #CTL7073LED-L & R/H #CTL7073LED-R pair pre-packed in one box for shipping
- Super bright red LED with high quality injection molded polycarbonate lens
- Includes polished stainless steel lens trim attached
- Dual function with tail light & bright stop/turn signal
- Fully sealed electronic solid state circuit boards are designed to operate at 12V DC
- Easy electrical connection w/ 1157 plug, no modification to vehicle
- LED compatible flasher required for proper operation, item #90652 or #90649

111114 | 30 LED Tail Light Set | Pair / Wbox

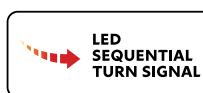
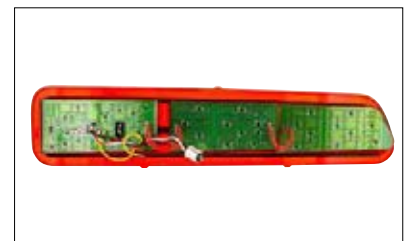
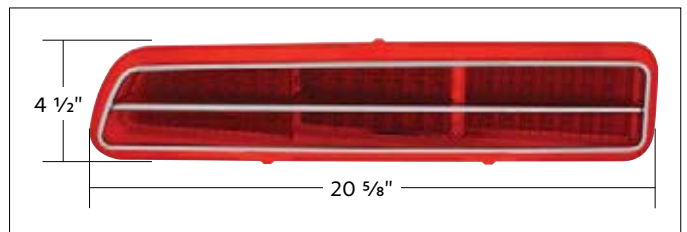


84 LED Sequential Tail Lights (Pair)

1969 Chevy Camaro

- Set includes L/H #110108 & R/H #110109 pair pre-packed in one box for shipping
- Super bright LED, complete with high quality injection molded polycarbonate lens
- Feature sequential function with selector switch to control sequential function off/on
- Also features brake attention option w/ sequence-once function
- Includes polished stainless steel trim ring attached
- Epoxy coated, fully sealed electronics
- Easy electrical connection w/ 1157 plug, no modification to vehicle
- Energy efficient solid-state circuit board engineered for 12V DC systems
- LED compatible flasher required for proper operation, item #90652 or #90649
- Lifetime warranty

111116 | 84 LED Sequential Tail Light Set | Pair / Wbox

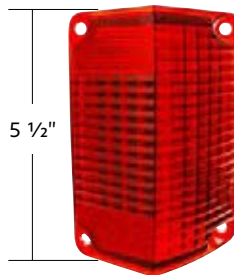
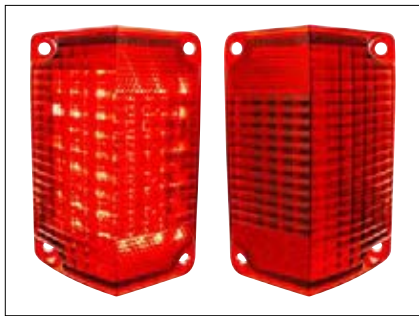
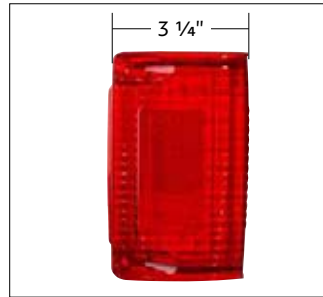
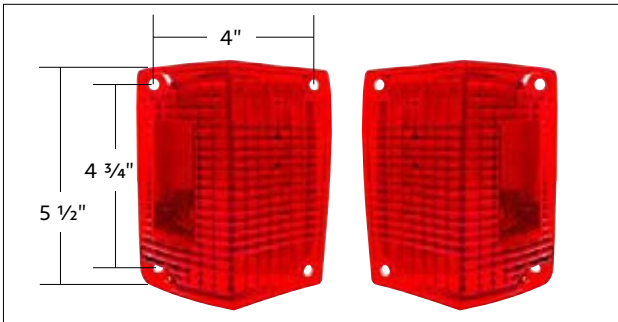


36 LED Tail Lights (Pair)

1970-1972 Chevy El Camino & Station Wagon

- Set includes L/H #CTL7072LED-L & R/H #CTL7072LED-R pair pre-packed in one box for shipping
- Super bright LED with high quality injection molded polycarbonate lens
- Dual function with tail light and bright stop/turn signal
- Epoxy coated, fully sealed electronics
- Easy electrical connection w/ 1157 plug, no modification to vehicle
- LED compatible flasher required for proper operation, item #90652 or #90649

111120 | 36 LED Tail Light Set | Pair / Wbox

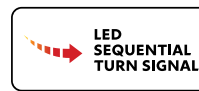


30 LED Tail Lights (Pair)

1968-1969 Chevy El Camino & Station Wagon

- Set includes L/H #CTL6869LED-L & R/H #CTL6869LED-R pair pre-packed in one box for shipping
- Super bright LED complete with red polycarbonate lens
- Dual function with tail light & bright stop/turn signal
- Epoxy coated, fully sealed electronic
- Easy electrical connection with 1157 plug, no modification to vehicle
- LED compatible flasher required for proper operation, item #90652 or #90649

111117 | 30 LED Tail Light Set | Pair / Wbox



27 LED Tail Light With 6 LED License Plate Lights (Pair)

1937-1938 Chevy Passenger Car & 1940-1953 Truck

- Set includes L/H #CTL4053LED-L & #CTL4053LED-R pair pre-packed in one box for shipping
- Super bright LED with high quality injection molded polycarbonate lens
- Features sequential function with selector switch to control sequential function off/on
- Epoxy coated, fully sealed electronics
- Energy efficient solid-state circuit board engineered for 12V DC systems
- LED compatible flasher required for proper operation, item #90652 or #90649
- Features LED license illuminator lens with 6 super bright white LED (left-hand side)

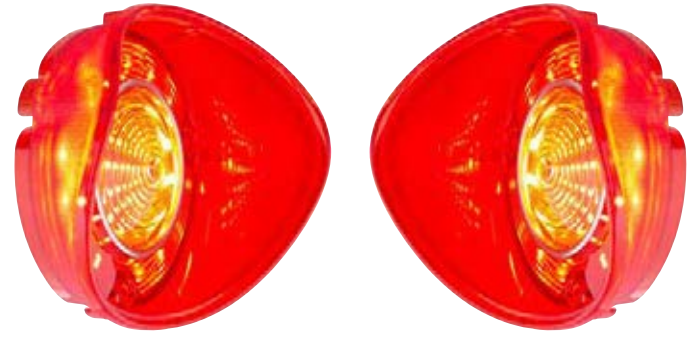
111121 | 27 LED Tail Light | Pair / Wbox

42 LED Tail Lights With Stainless Steel Trim (Pair)

1972 Chevy Chevelle SS & Malibu

- Set includes L/H #CTL7201LED-L & R/H #CTL7201LED-R pair pre-packed in one box for shipping
- Super bright LED complete with polycarbonate lens and stainless steel trim
- Dual function with tail light and bright stop/turn signal
- Epoxy coated, fully sealed electronics
- Easy electrical connection w/ 1157 plug, no modification to vehicle
- LED compatible flasher required for proper operation, item #90652 or 90649
- Lifetime warranty

111119 | 42 LED Tail Light Set w/ SS Trim | Pair / Wbox

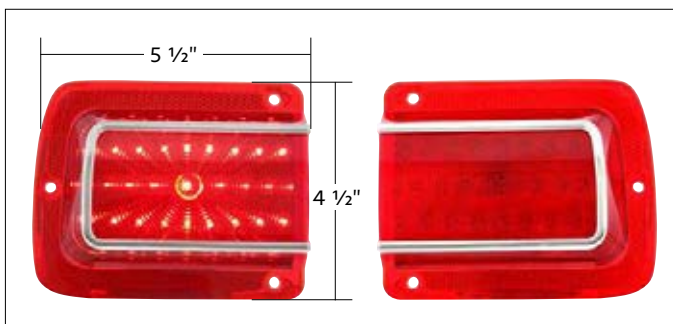


41 LED Tail Light Sets (Pair)

1965 Chevy Chevelle & Malibu

- Set includes L/H #CTL6521LED-L & R/H #CTL6521LED-R pair pre-packed in one box for shipping
- Super bright red LED with high quality injection molded polycarbonate lens
- Highly polished stainless steel trim
- Easy electrical connection w/ 1157 plug, no modification to vehicle
- Energy efficient solid-state circuit board engineered for 12V DC systems
- Epoxy coated, fully sealed electronics
- LED compatible flasher required for proper operation, item #90652 or #90649
- Lifetime warranty

111118 | 41 LED Tail Light Set | Pair / Wbox

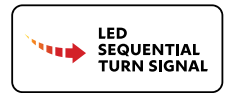
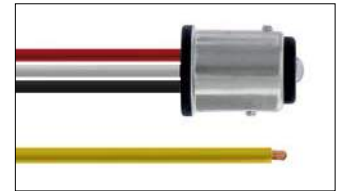
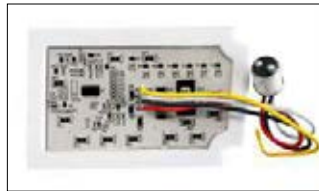
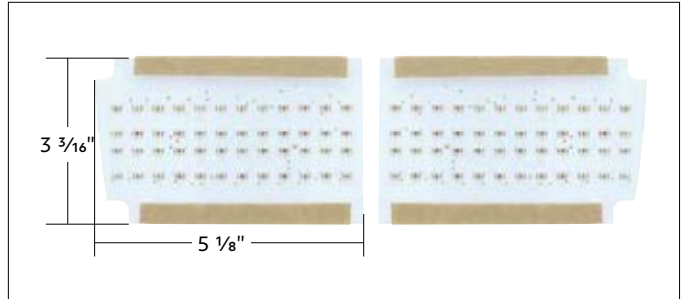
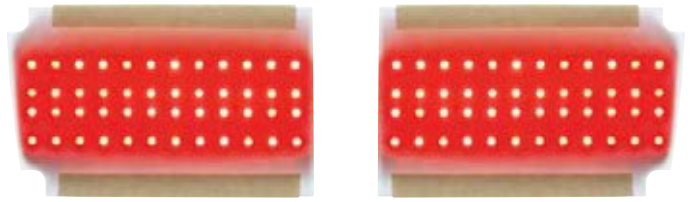


LED Sequential Tail Light Insert Boards (Pair)

1970 Chevy Chevelle

- Set includes L/H #110157 & R/H #110158 pair pre-packed in one box for shipping
- 48 super bright red LED tail light insert board
- Features sequential function with selector switch to control sequential function off/on
- Also features brake attention option w/ sequence-once function
- Epoxy coated, fully sealed electronics
- Easy electrical connection w/ 1157 plug, no modification to vehicle
- Energy efficient solid-state circuit board engineered for 12V DC systems
- LED compatible flasher required for proper operation, item #90652 or #90649

111122 | LED Sequential TL Insert Board Set | Pair / Wbox

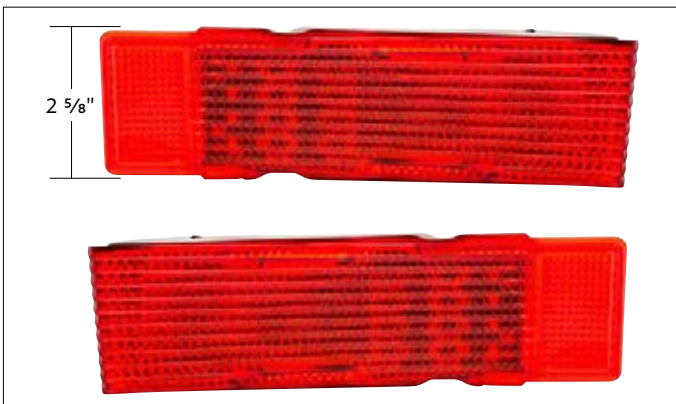


52 LED Tail Lights (Pair)

1968 Chevy Chevelle

- Set includes L/H #CTL6821LED-L & R/H #CTL6821LED-R pair pre-packed in one box for shipping
- Super bright red LED with high quality injection molded polycarbonate lens
- Epoxy coated, fully sealed electronics
- Easy electrical connection w/ 1157 plug, no modification to vehicle
- Energy efficient solid-state circuit board engineered for 12V DC systems
- LED compatible flasher required for proper operation, item #90652 or #90649

111115 | 52 LED Tail Light Set | Pair / Wbox



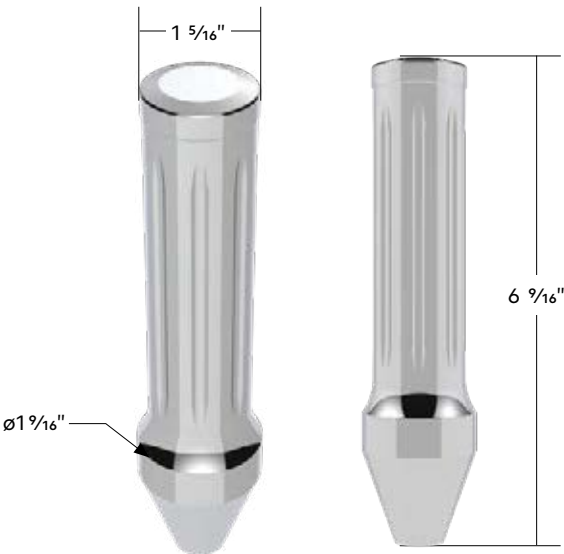
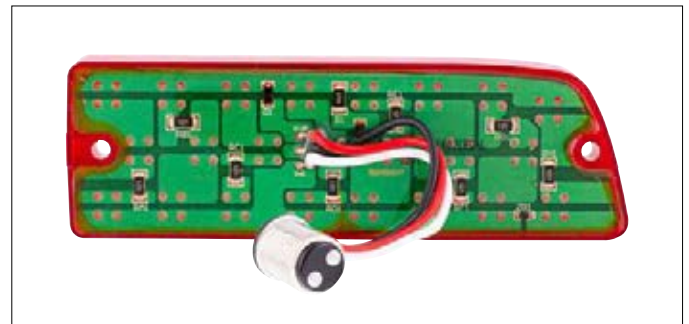
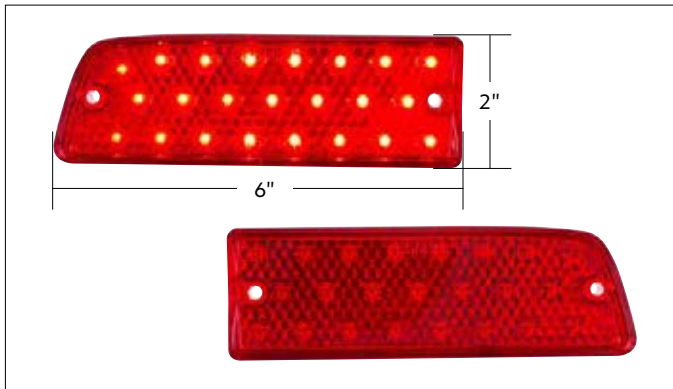
23 LED Tail Lights (Pair)

1964 Chevy Chevelle

- Set includes L/H #CTL6402LED-L & R/H #CTL6402LED-R pair pre-packed in one box for shipping
- Super bright red LED with high quality injection molded polycarbonate lens
- Dual function with tail light & bright stop/turn signal
- Epoxy coated, fully sealed electronics
- Easy electrical connection w/ 1157 plug, no modification to vehicle
- LED compatible flasher required for proper operation, item #90652 or #90649

111123 | 23 LED Tail Light Set

| Pair / Wbox



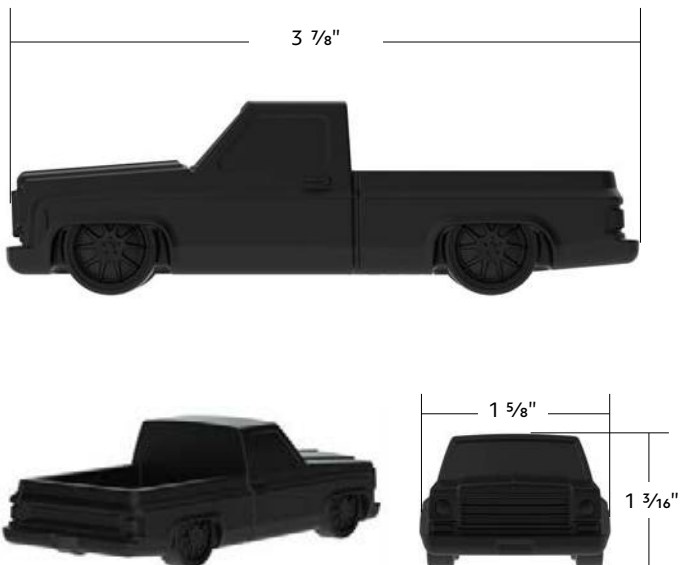
Dallas Style Grooved Grip Handle With Beer Tap Adapter - Chrome

Dallas Style Grooved Grip Handle

- Beautiful chrome plated finish w/ triple chrome plating process
- High quality CNC machined grip handle and adapter
- 3/8"-16 female thread for use w/ most beer faucet (faucet not included)

70895 | Chrome

| 1 Pc. / Card



Matte Black Solid Die-Cast Paper Weight

1973-1987 Chevy Truck Style

- Solid zinc die-cast, modeled after a 1974 Chevy C10 truck
- Weighs roughly 3/4 lb, perfect for desk decor or paper weight

99222 | Matte Black Chevy Truck Paper Weight | 1 Pc./Wbox



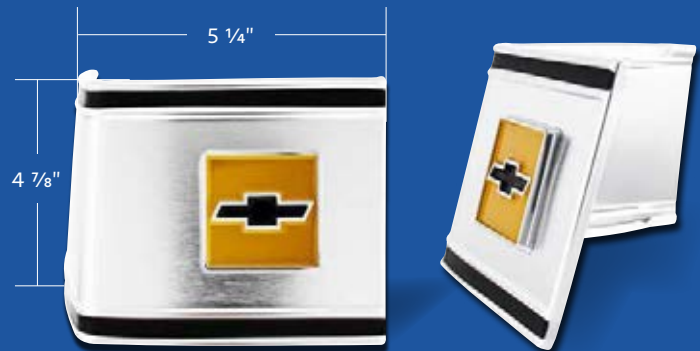
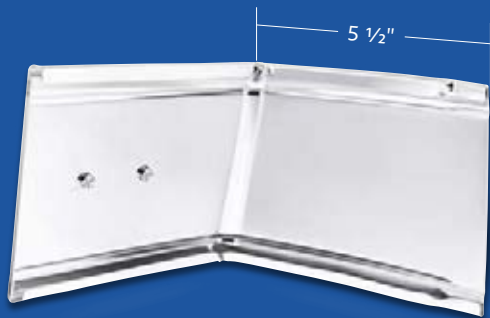
Cab Rear Corner Molding Kit

1973-1980 Chevy Truck

- Beautiful anodized brushed aluminum with Chevrolet bowtie
- Mounting hardware included
- Official GM licensed restoration product

111008 | Left Hand
111009 | Right Hand

1 Pc. / Each
1 Pc. / Each



2022 Classic New Item Flyer Collection

New Items Collection

- Collection of United Pacific's 2022 new items for classic car and truck

ANF1222 | 2022 NIF Collection

1 Pc. / Each





34 LEDs

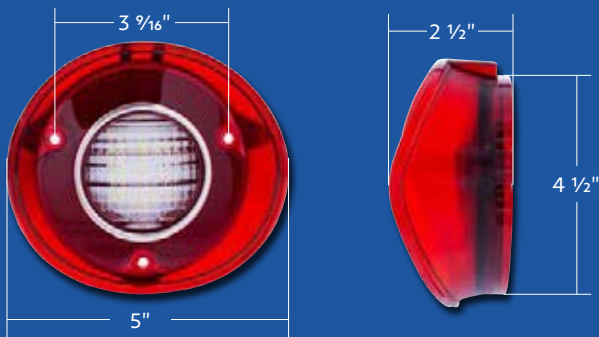
LIFETIME WARRANTY

34 White LED Backup Light

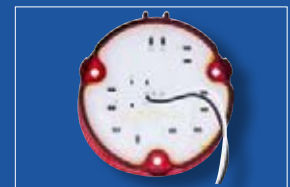
1972 Chevy Chevelle SS & Malibu

- Super bright white LED with high quality injection molded polycarbonate lens
- Complete with stainless steel trim
- Epoxy coated, fully sealed electronics
- Easy electrical connection with 1156 plug, no wiring modification to vehicle is required
- Lifetime warranty

111127	34 White LED Backup Light	Pair / Cbox	NEW
CBL7201LED-L	Left Hand	1 Pc. / Cbox	
CBL7201LED-R	Right Hand	1 Pc. / Cbox	



NEW
COLOR BOX DESIGN



NEW &
IMPROVED!

Black Rubber Gearshift Boot

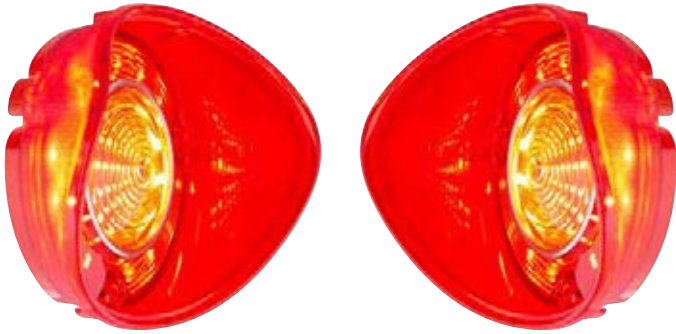
1932-1939 Ford Car/Truck

- High quality durable rubber
- Direct replacement for torn or worn out shift boots

A8013	Black Rubber Gearshift Boot	1 Pc. / Each
-------	-----------------------------	--------------



RECOMMENDED ITEMS

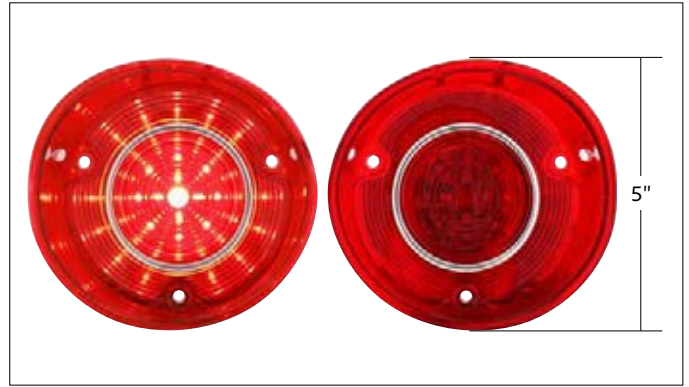


42 LED Tail Lights With Stainless Steel Trim (Pair)

1972 Chevy Chevelle SS & Malibu

- Set includes L/H #CTL7201LED-L & R/H #CTL7201LED-R pair pre-packed in one box for shipping
- Super bright LED complete with polycarbonate lens and stainless steel trim
- Dual function with tail light and bright stop/turn signal
- Epoxy coated, fully sealed electronics
- Easy electrical connection w/ 1157 plug, no modification to vehicle
- LED compatible flasher required for proper operation, item #90652 or 90649
- Lifetime warranty

111119 | 42 LED Tail Light Set w/ SS Trim | Pair / Wbox



30 LED Tail Lights (Pair)

1970-1973 Chevy Camaro

- Set includes L/H #CTL7073LED-L & R/H #CTL7073LED-R pair pre-packed in one box for shipping
- Super bright red LED with high quality injection molded polycarbonate lens
- Includes polished stainless steel lens trim attached
- Dual function with tail light & bright stop/turn signal
- Fully sealed electronic solid state circuit boards are designed to operate at 12V DC
- Easy electrical connection w/ 1157 plug, no modification to vehicle
- LED compatible flasher required for proper operation, item #90652 or #90649

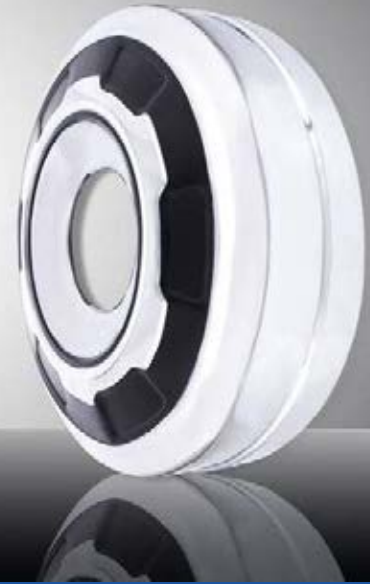
111114 | 30 LED Tail Light Set

| Pair / Wbox



CHROME CENTER HUBCAP - FRONT

1978-1984 FORD F-250/F-350 4X4

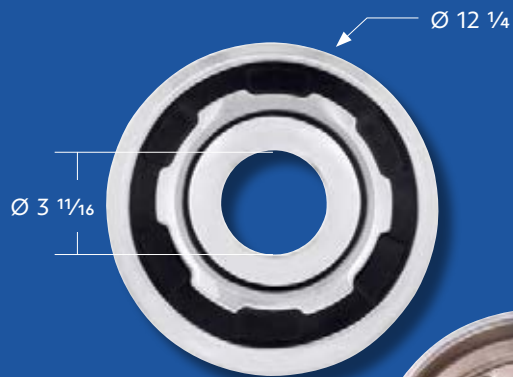


Chrome Center Hubcap - Front

1978-1984 Ford F-250/F-350 4X4

- Beautiful high quality chrome plated finish with triple chrome plating process
- Quality die stamped steel
- Satin black painted accent as original
- Fits front wheels on 3/4 & 1 ton Ford trucks and vans with 4WD

110902 | Chrome Center Hubcap | 1 Pc. / Wbox
4x4 Front Wheel



RECOMMENDED ITEM

Chrome Center Hubcap

1978-1984 Ford F-250/F-350

- High quality chrome plated finish w/ triple chrome plating process
- Quality die stamped steel
- Satin black painted accent as original
- Fits 3/4 & 1 ton Ford trucks and vans

110751 | Chrome Center Hubcap | 1 Pc. / Wbox





17" Aluminum Tire Checker Bat With American Flag Graphic

Tire Checker Bat

- Aluminum tire checker with red, white, and blue American flag themed stars and stripes graphic
- 17" long with comfortable anti-slip grip

99300 | American Flag Graphic | 1 Pc. / Wbox



Thread-On Aluminum Skull Biker 1/2"-13 Gearshift Knob - Black (Bulk)

Black

- Beautiful skull detail with goggle and helmet
- High quality black powder coated finish
- Machined inside thread 1/2"-13
- Designed to work best with UP thread-on shift knob adapters
May also work with other adapters with 1/2"-13 thread
- Includes a packet of threadlocker

70806B | 1/2"-13 Thread-On Gearshift Knob | 1 Pc. / Bulk



United Pacific Cap - Flame U.P. Cap

Flame U.P. Cap

- 100% cotton twill hat
- Embroidered UP logo
- Embroidered flames on bill and sides
- Velcro adjustable strap back

99085 | Flame U.P. Cap | 1 Pc. / Each



NOW IN STOCK!

4 LED Dual Function Mini Spike Light With SS Bezel



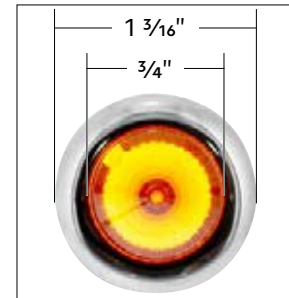
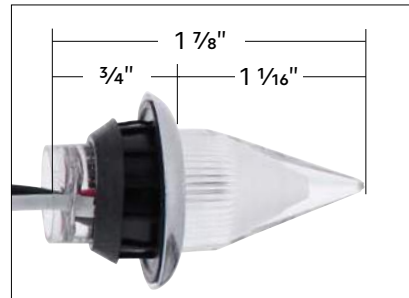
4 LED Dual Function Mini Spike Light W/ SS Bezel (Clearance/Marker & Auxiliary/Utility)

Dual Function

- Spike lens shape with unique frosted inner design
- Features 4 super bright 12V LEDs
- Dual functions with high and low brightness
- Polished stainless steel bezel
- Fully epoxy sealed to prevent moisture intrusion
- Mounts with included rubber grommet
- Easy wiring with 3 male bullet plugs
- Requires a 3/4" opening

34841	Amber LED	Amber Lens	C/M	1 Pc. / Card
34842	Red LED	Red Lens	C/M	1 Pc. / Card
34843	Amber LED	Clear Lens	C/M	1 Pc. / Card
34844	Red LED	Clear Lens	C/M	1 Pc. / Card
34845	Blue LED	Clear Lens	Aux	1 Pc. / Card
34846	White LED	Clear Lens	Aux	1 Pc. / Card

(Clearance/Marker)		(Auxiliary)
		
34841	34843	34845
		
34842	34844	34846



4 LEDs

DUAL FUNCTION

STAINLESS STEEL BEZEL

BACK IN STOCK

C4053S-L



C4053S



C4053SL



C4053SALBD



CTL4950LED-ALS



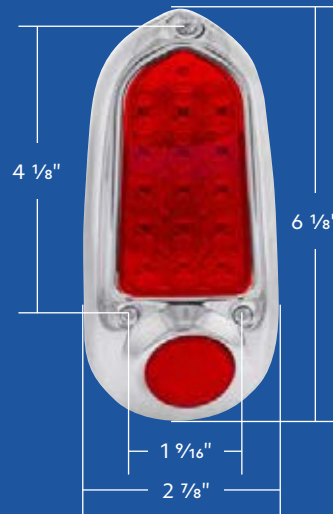
16 LED Tail Light With Stainless Steel Rim

1949-1950 Chevy Passenger Car

- 430 stainless steel rim
- Gloss black powder coated back housing
- Super bright red LED with high quality injection molded polycarbonate lens
- Epoxy coated, fully sealed electronics
- Includes housing, mounting hardware, round reflector, socket and wires
- LED compatible flasher required for proper operation, item #90652 or 90649

CTL4950LED-ALS | Left Hand
CTL4950LED-ARS | Right Hand

1 Pc. / Each
 1 Pc. / Each

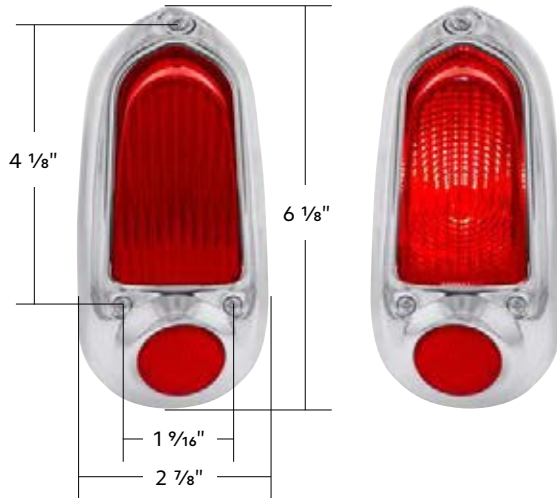


16LEDs

EASY PLUG-IN

STAINLESS STEEL RIM



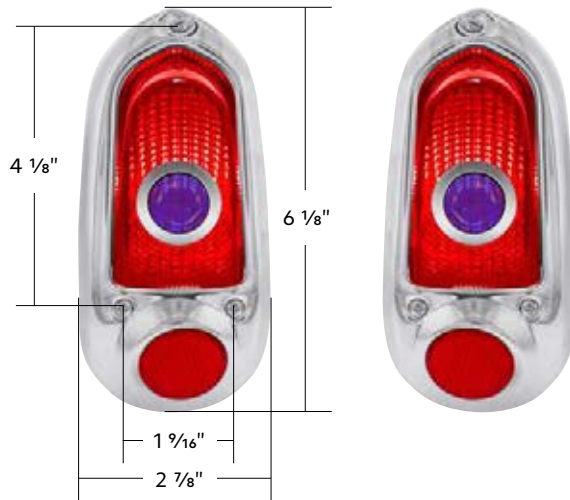


Tail Light Assembly With Stainless Steel Rim

1949-1950 Chevy Passenger Car

- Highly polished stainless steel
- Gloss black powder coated back housing
- Excellent quality red glass lens
- Modern nylon coated wiring
- Pre-installed 12V 1157 bulb

C4053SA	Pair	2 Pcs. / Pair
C4053SAL	Left Hand	1 Pc. / Each
C4053SAR	Right Hand	1 Pc. / Each



Tail Light Assembly With Stainless Steel Rim & Blue Dot

1949-1950 Chevy Passenger Car

- Highly polished stainless steel
- Gloss black powder coated back housing
- Excellent quality red glass lens and beautiful center mounted blue dot
- Modern nylon coated wiring

C4053SALBD	Left Hand	1 Pc. / Each
C4053SARBD	Right Hand	1 Pc. / Each





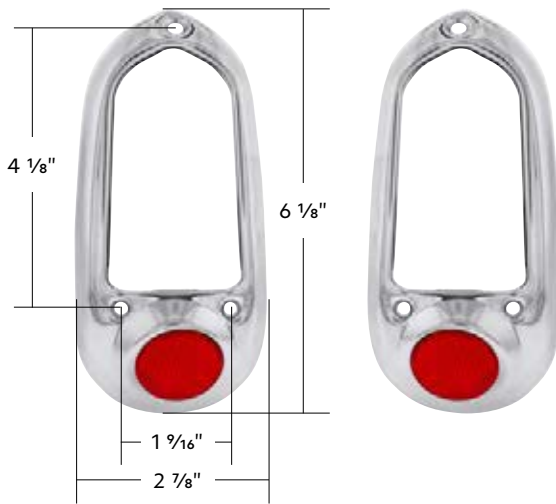
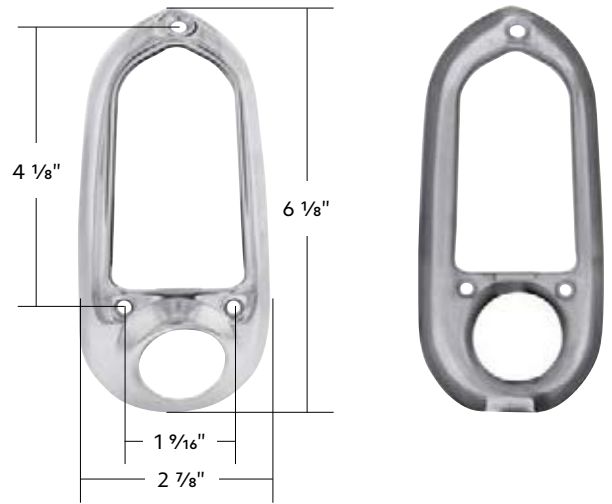
Stainless Steel Tail Light Rim

1949-1950 Chevy Passenger Car

- 430 stainless steel rim
- Made to exact shape and size as original for easy replacement

C4053S-L | Left Hand
C4053S-R | Right Hand

1 Pc. / Each
 1 Pc. / Each



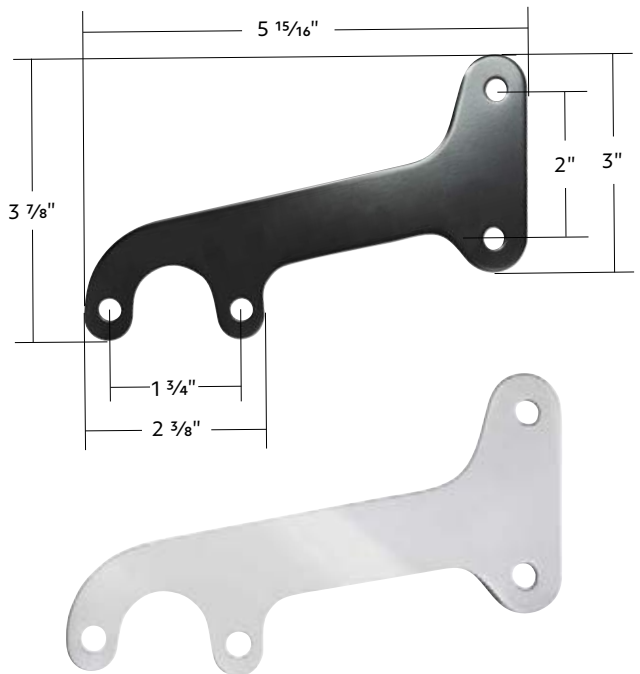
Stainless Steel Tail Light Rim With Red Reflector

1949-1950 Chevy Passenger Car

- Highly polished stainless steel
- Made to exact shape and size as original for easy replacement

C4053S | TL Bezel w/ Red Reflector

2 Pcs. / Pair



Tail Light Bracket

1938-1956 Ford Truck

- Excellent steel reproduction of the original
- Features original design contour and precision punched mounting holes
- Fits L/H or R/H side

A5013 | Black Painted Steel Tail Light Bracket | 1 Pc. / Each
A6217 | Stainless Steel Tail Light Bracket | 1 Pc. / Each



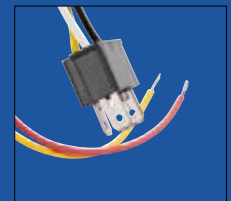
ULTRALIT™

High Power LED 7" Projection Light W/ Dual Color LED Halo & Classic Style Lens

Universal Fit

- Unique retro look with vintage style front lens pattern design
- Super bright 2,700 lumen high beam (4 LEDs) and 1,200 lumen projector low beam (single LED)
- 60 LEDs dual color white/amber position halo ring with amber automatic override feature
- Die cast housing & polycarbonate lens provide maximum protection & durability
- Solid state design resists shock & vibration, IP67 water resistant rating
- Easy installation. Plugs into existing headlight wiring harness
- Note: Due to large heat sink, modification to headlight bucket might be required
- LED halo requires additional wiring installation. Wiring color code: **RED**= White LED halo, **YELLOW**= Amber LED halo
- For off-road and show use only

31499 | 7" Projection Light W/ Classic Style Lens | 1 Pc. / Cbox



ULTRALIT™

20 High Power LED 5-3/4" Headlight W/ LED DRL/Position Light - Black

- High power 1000 lumens low beam and 1250 lumens high beam LED
- Bright dual function daytime running light/position light bar with 18 bright white LEDs
- Beautiful crystal clear polycarbonate front lens
- Reinforced aluminum reflector, rugged anti-vibration construction
- Direct replacement to sealed beam type headlights
- Easy plug-in design with H4 plug and male bullet plugs for position light wiring
- DOT/SAE, DRL M P HL 23 Motorcycle
- For off highway and show use only in cars and trucks
- Wire color code: **RED**=low beam, **WHITE**=high beam, **BLACK**=ground, **BROWN**=position light, **BLUE**=DRL

31029 | Headlight W/ LED DRL/Position Light | 1 Pc. / Card



20LEDs

EASY PLUG-IN

DOT & SAE



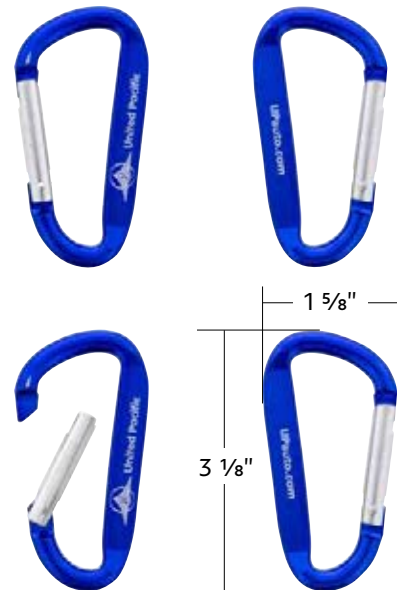
CHROME
HIGH-QUALITY
CHROME FINISH

Interior Door Handle

1942-1948 Chevy Passenger Car

- Beautiful high quality chrome plated finish with triple chrome plating process
- Exact design and shaped as original
- Exceptional quality die-cast

C424802 | Interior Door Handle | 1 Pc. / Card



United Pacific Carabiner

- Anodized blue aluminum carabiner
- United Pacific branded
- 3-1/8" long, 1-5/8" wide

99235 | United Pacific Carabiner | 1 Pc. / Each

Fuel Sending Unit

1972 Chevy & GMC Truck W/ Manual Transmission



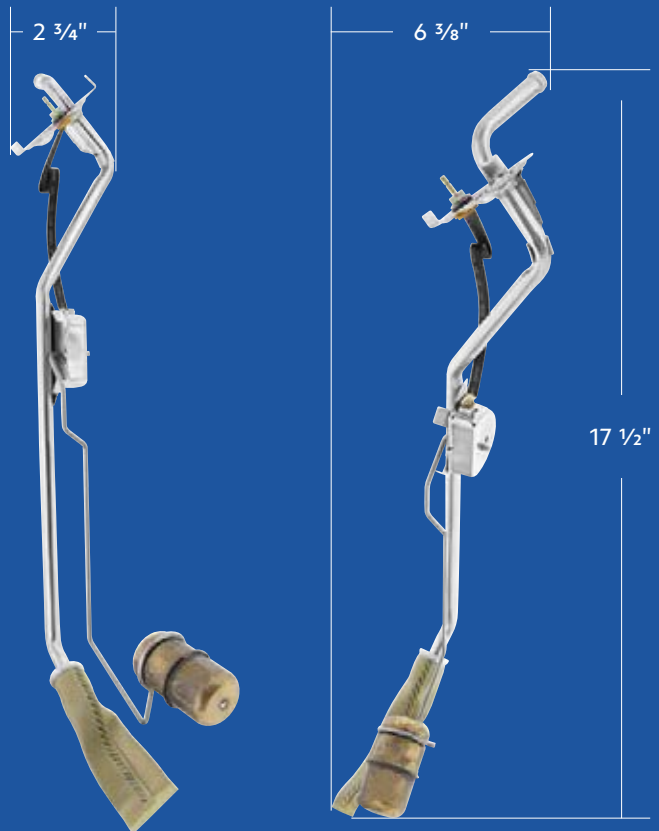
Fuel Sending Unit

1972 Chevy & GMC Truck W/ Manual Transmission

- Made with corrosion resistant stainless steel sheet metal
- Brass float just like the original
- Includes rubber seal, stainless steel lock ring, and strainer
- 3/8" diameter fuel line inlet

111045 | Fuel Sending Unit

| 1 Pc. / Each





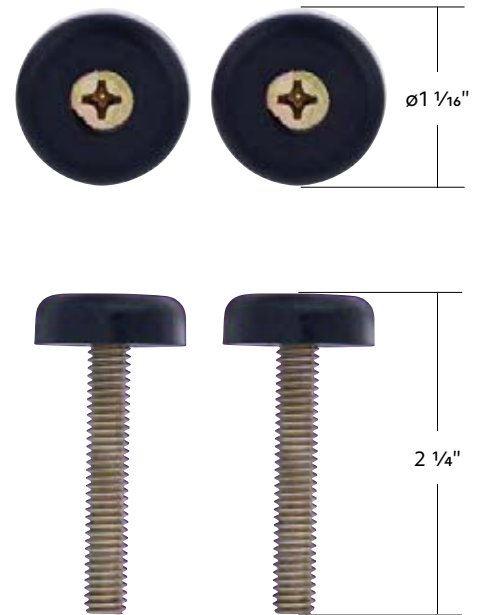
Hood Bumper (Pair)

1967-1972 Chevrolet & GMC Truck

- High quality durable rubber
- Matches OE thread spec, 5/16"-18 thread
- 2-1/4" long length, 1-1/16" in diameter
- Sold in pairs

110692 | Hood Bumpers

2 Pcs. / Each



Finger Hood Ornament

- Exceptionally detailed, sturdy cast aluminum construction
- Ideal for decorating small & personal space, home, office & garage
- Easy installation on any vehicle with three mounting studs
- Includes mounting hardware: 1 rubber pad, 3 M6-1.25 studs, 3 nuts, 3 flat washers, 3 spring washers, 3 rubber plugs
- High quality chrome finish and matte black powder coated finish available

72054 | Chrome

1 Pc. / Hbox

72055 | Matte Black

1 Pc. / Hbox

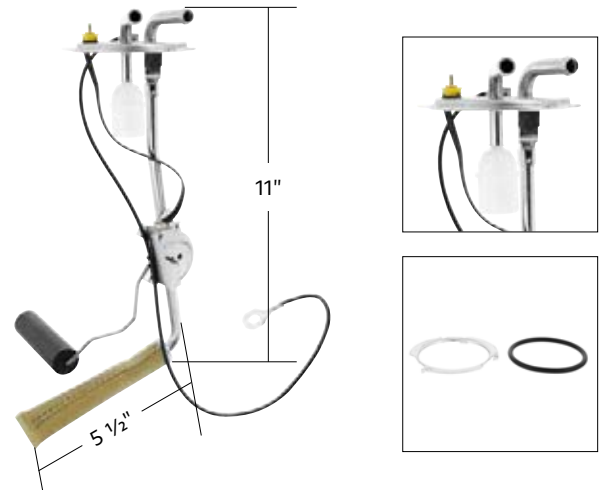




Load Resistor-50 Watt 15 Ohm (Pair)

- Simulate the load of an incandescent bulb
- Aluminum housing with heat sink allows installation in most locations
- 15 ohm resistor rated for 50 watts of heat dissipation capacity
- Eliminate flickering or burnt out bulb indication associated with LED conversions
- Includes a pair of load resistor and 4 quick splice connectors

34237 | Load Resistor-50 Watt 15 Ohm | Pair / Hbox

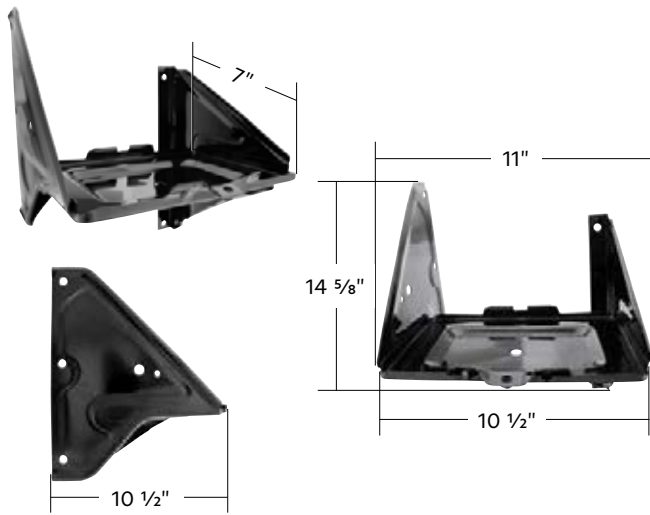


Fuel Sending Unit

1973-1979 Chevy & GMC Truck

- Made with corrosion resistant stainless steel sheet
- Features 2 outlets only design
- Brass float just like the original
- Includes rubber seal, stainless steel lock ring, and strainer

110670 | Fuel Sending Unit-R/H | 1 Pc. / Each

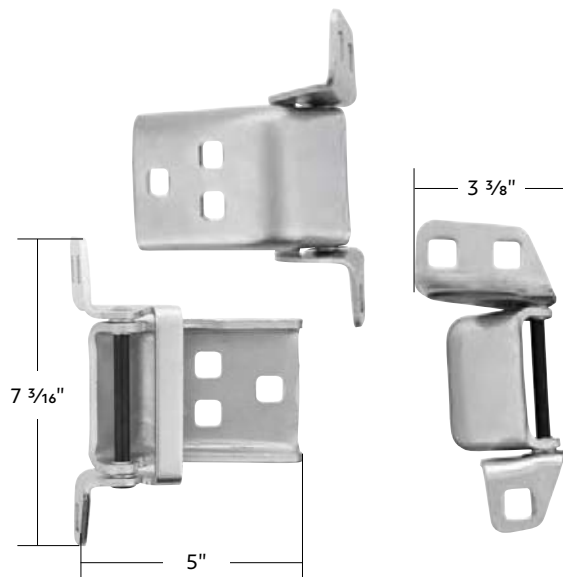


Battery Tray

1967-1972 Chevy & GMC Truck W/ Air Conditioning

- Heavy duty stamped steel as original
- Black powder coated to protect against corrosion
- Identical design as the original
- Test fitted in house to ensure a hassle free installation

C677212 | Battery Tray | 1 Pc. / Each

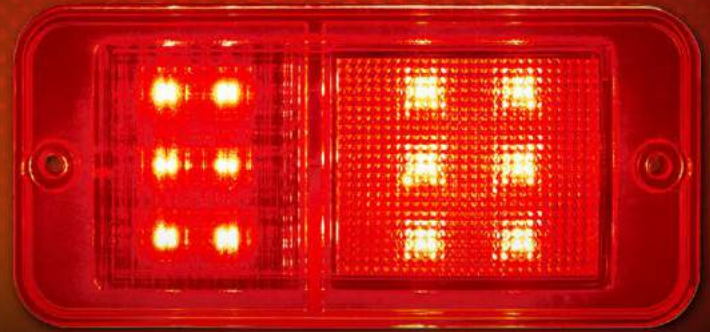
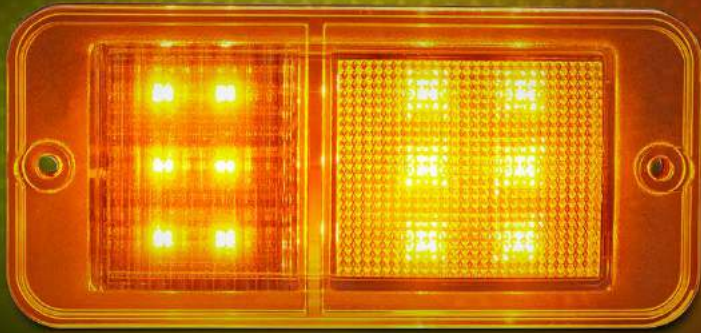


Lower Door Hinge

1973-1987 Chevy & GMC Truck

- Die stamped w/ heavy duty steel w/ original contour detail
- Precision punched mounting holes for easy installation

110856 | Lower Door Hinge-L/H | 1 Pc. / Each



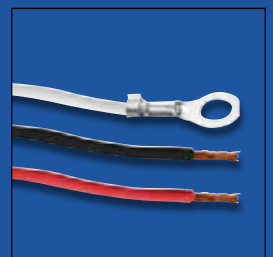
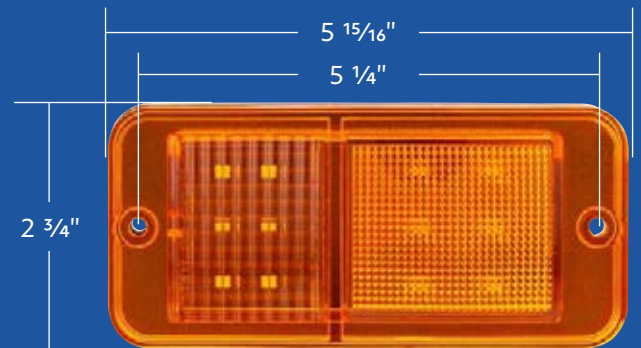
12 LED Standard Style Side Marker

1968-1972 Chevrolet & GMC Truck

- High quality injection molded acrylic lens patterned like the original side marker
- Features 12 bright LEDs
- Epoxy coated, fully sealed electronics designed for 12V DC systems
- Includes foam pad for mounting
- Wiring required, **WHITE**=Ground, **RED**=High, **BLACK**=Low

111026	Amber	1 Pc. / Card
111027	Red	1 Pc. / Card

12 LEDs



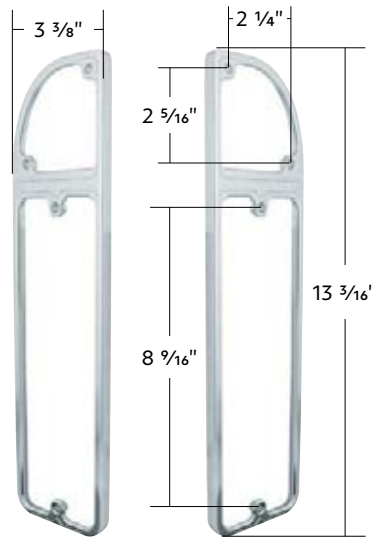
Clear Anodized Billet Aluminum Tail Light Bezels (Pair)

1967-1972 Chevrolet & GMC Fleetside Trucks

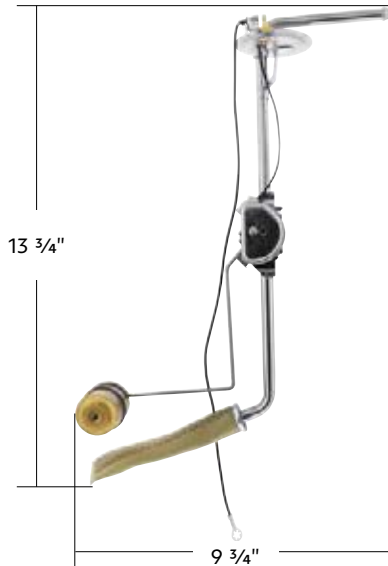
- CNC milled out of single solid 6061 aluminum block
- Clear anodized to increase corrosion resistance while keeping the machined finished look
- Includes 8 stainless steel #8-32x2" screws for use with original tail light lens mounting holes
- Sold in pairs

110597 | Tail Light Bezels (Pair)

1 Pc. / Hbox



Unique CNC milled outline



Fuel Sending Unit

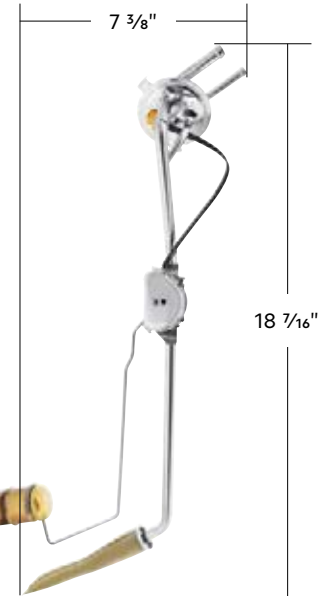
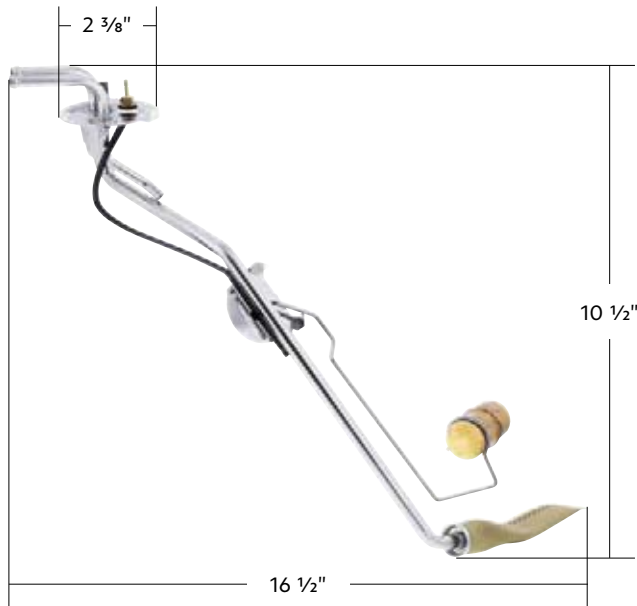
1967-1972 Chevy & GMC Truck

- Made with corrosion resistant stainless steel sheet metal
- Brass float just like the original
- Includes rubber seal, stainless steel lock ring, and strainer
- 3/8" diameter fuel line inlet
- Also fits Suburban, Blazer, and Jimmy
- Direct replacement for GM #6428271, 6428162

111125 | Fuel Sending Unit

1 Pc. / Wbox





Fuel Sending Unit

1972 Chevy & GMC Truck W/ Auto Transmission

- Made with corrosion resistant stainless steel sheet metal
- Brass float just like the original
- Includes rubber seal, stainless steel lock ring, and strainer
- 3/8" diameter fuel line inlet and 1/4" diameter return line

111139 | Fuel Sending Unit

| 1 Pc. / Wbox

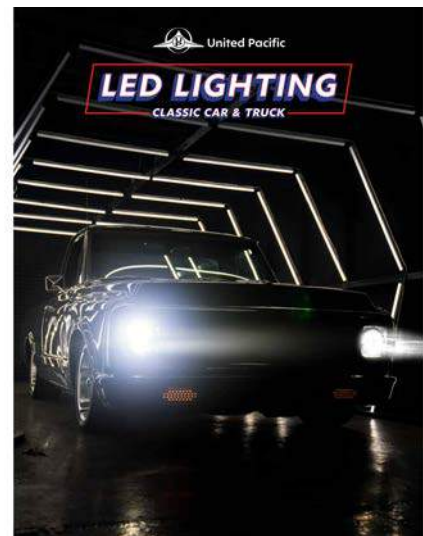


United Pacific 1966-1977 Ford Bronco Parts Poster

- Poster showcasing United Pacific's line up of parts and accessories for the Ford Bronco
- Dimension approximately 36" x 24"

99239 | Bronco Parts Poster

| 1 Pc. / Each



Classic LED Lighting Product Catalog 7th Edition

- Collection of United Pacific's LED lights and related light products for classic car and truck
- The catalog consists of 172 pages total
- Also available as digital download on our website's Catalogs & Flyers section

ACLED7 | 7th Edition

| 1 Pc. / Each

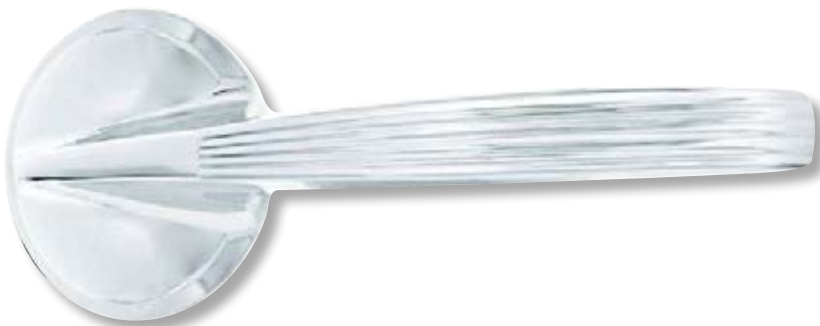
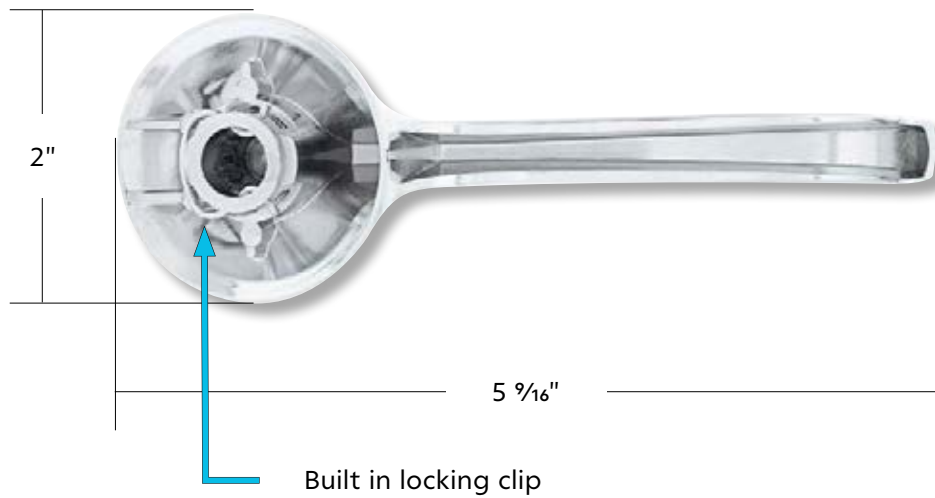
**NEW &
IMPROVED!**

Chrome Die-Cast Interior Door Handle

1949-1964 Chevy Passenger Car

- Beautiful high quality chrome plated finish with triple chrome plating process
- Exact design and shaped as original
- Exceptional quality die-cast
- Fits 1949-52 all models except wagon, 1955-57 all models, 1958-60 Bel Air & Biscayne, and 1961-64 Biscayne

C496401 | Chrome Die-Cast Interior Door | 1 Pc. / Each





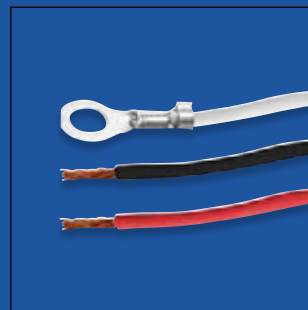
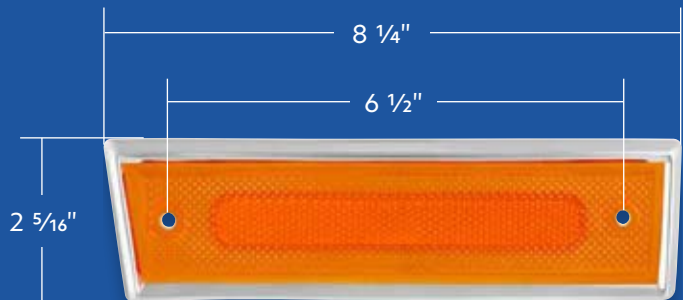
8 Amber LED Dual Function Side Marker W/ SS Trim

1981-1987 Chevrolet & GMC Truck

- Super bright amber LEDs with high quality injection molded polycarbonate lens
- Polished stainless steel trim
- Dual function design with side marker and turn signal functions (wiring required)
- Epoxy coated, fully sealed electronics
- Energy efficient solid-state circuit board engineered for 12V DC systems
- LED compatible flasher required for proper operation: Item #90652 or 90649
- Also fits Suburban, Jimmy, & Blazer
- Wiring color code: **WHITE**=ground (-), **RED**=high (+), **BLACK**=low (+)

110310 | Left Hand
110311 | Right Hand

1 Pc. / Hbox
 1 Pc. / Hbox



Bullseye Style Back-Up Light Lens

1967-1972 Chevrolet & GMC Trucks

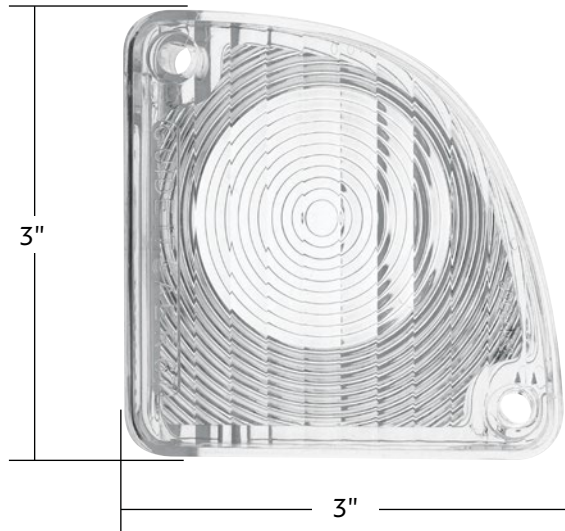
- Excellent quality plastic injection molded lens
- Features the highly desired 67-68's Bullseye style circular lens pattern
- Original shape and size for each replacement

110362 Right Hand

1 Pc. / Each

110363 Left Hand

1 Pc. / Each



PRODUCT INDEX

<u>ITEM #</u>	<u>PAGE #</u>	<u>ITEM #</u>	<u>PAGE #</u>
110137	7	111122	18
110310	38	111123	19
110311	38	111125	35
110362	39	111127	21
110363	39	111139	36
110547	9	31029	30
110548	9	31499	29
110549	8	34237	33
110597	35	34841	25
110670	33	34842	25
110692	32	34843	25
110751	23	34844	25
110856	33	34845	25
110902	23	34846	25
111008	20	50130	7
111009	20	50131	7
111026	34	70806B	24
111027	34	70895	19
111045	31	72054	32
111067	8	72055	32
111076	11	99085	24
111077	11	99222	19
111078	11	99235	30
111079	11	99239	36
111080	10	99300	24
111081	10	A5013	28
111088	10	A6217	28
111089	10	A8013	21
111090	14	ACLED7	36
111108	13	ANF1222	20
111109	13	C4053S	28
111110	14	C4053S-L	28
111111	14	C4053S-R	28
111112	12	C4053SA	27
111113	12	C4053SAL	27
111114	15	C4053SALBD	27
111114	22	C4053SAR	27
111115	18	C4053SARBD	27
111116	15	C424802	30
111117	16	C496401	37
111118	17	C677212	33
111119	17	CBL7201LED-L	21
111119	22	CBL7201LED-R	21
111120	16	CTL4950LED-ALS	26
111121	16	CTL4950LED-ARS	26



United Pacific

classic.upauto.com | T 866.327.5288 | F 888.986.6088

© 2024 United Pacific Industries. All rights reserved. Products not shown to scale. Specifications subject to change without notice.

ANF1223

2023 Classic New Item Flyer Collection



710270066292