



United Pacific

2022 New Product Collection

# CLASSIC CAR & TRUCK





# United Pacific

## HOW TO ORDER

To order from United Pacific Industries, you must be an authorized dealer, distributor or OEM. If you are not authorized to stock and sell United Pacific products, you must order through an authorized dealer. Please call 866.327.5288 for more information.

## CONTACT US



8 am - 4:30 pm PST



866.327.5288 / 562.425.5588



888.986.6088 / 562.425.3632



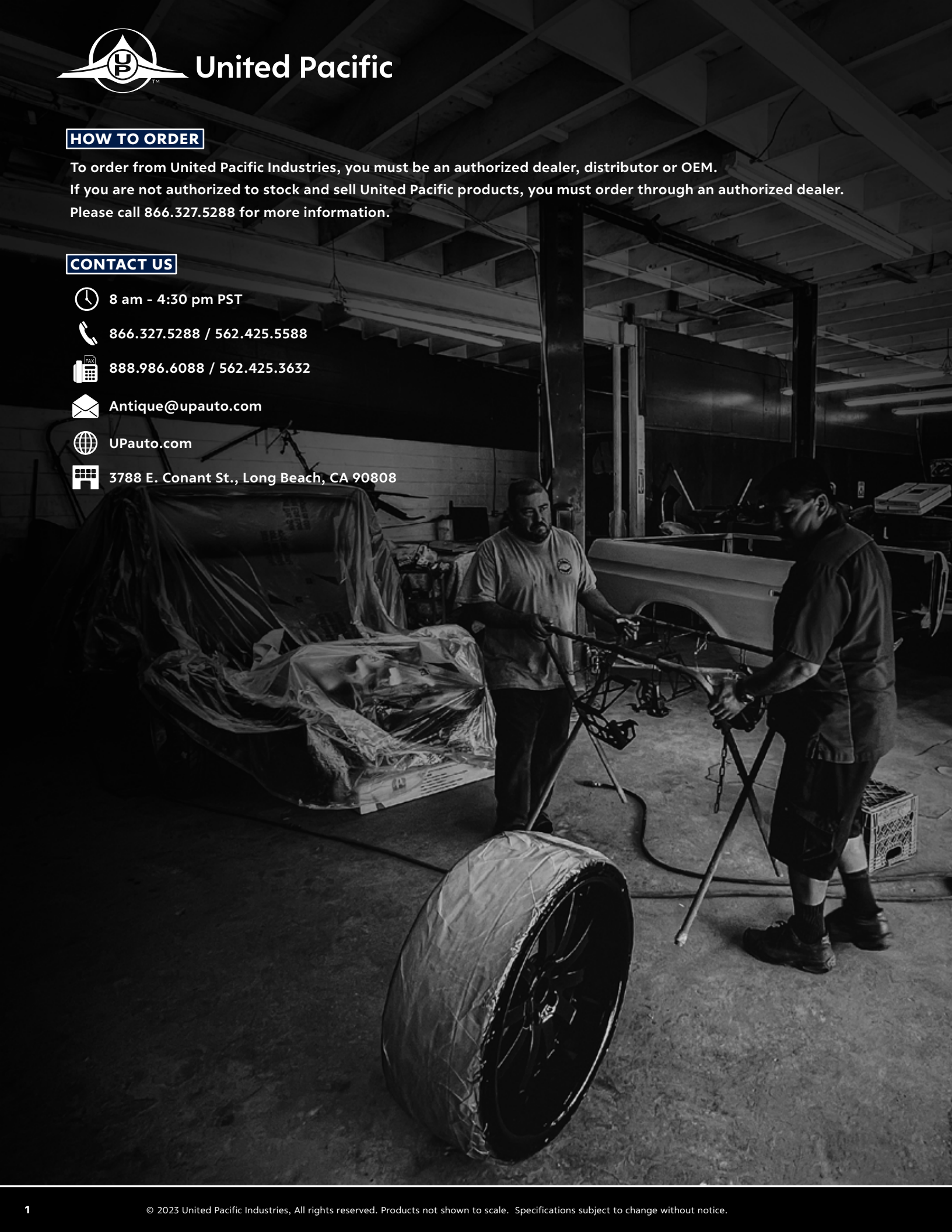
Antique@upauto.com



UPauto.com



3788 E. Conant St., Long Beach, CA 90808



## QUALITY

With over 30 years of experience in the automotive aftermarket industry, United Pacific Industries understands the rigors and stresses that our products are subjected to on the road. It is our mission to provide our customers with products of superior quality and reliability. In achieving this goal, United Pacific only partners with manufacturing facilities that conforms to our quality control requirements and standards. Our manufacturing partners meet or exceed ISO-9001 requirements. In addition, United Pacific's manufacturing partners must be equipped on site to perform the following quality assurance tests and maintain a track record of consistent quality and low product failure rate.

- Aging Test
- Air Tight Test
- Dust Test
- Flux Test
- Photometric Test
- Pull Force Test
- Rain Test
- Salt Spray Test
- Shock Test
- Temperature Test
- Humidity Test
- Vibration Test

Furthermore, our internal quality control structure allows us to function as the final quality control station prior to shipping. With the assistance of 3D computer technology, United Pacific can adhere to strict quality control standards during prototype creation and the production process. Our engineers and technicians perform a battery of tests to ensure that our products meet the demands of today's drivers and our goal to be first in quality.

## INNOVATION

Known as the leader in innovation, United Pacific is dedicated to be the first to bring new and exciting products to the market. United Pacific's global expertise allows us to search the globe for new ideas and concepts. Not only do we search the globe for new products, United Pacific invest a significant amount of resources into our own research and development efforts. With the assistance of advance 3D scanning technology, our engineers and designers can acquire accurate and precise data in seconds.

The 3D data allows United Pacific to verify designs, perform quality assurance tests, and reverse engineer with unprecedented speed and accuracy. Digital inspection contributes to the early detection of shape problems, provides rapid feedback on design, and eliminates unnecessary work in downstream processes. Our rapid prototyping facility permits us to have a concept-to-shelf time of less than 5 months. In addition, United Pacific's 3D printing capabilities permit our designers to have physical models of their design concepts in hours. The physical models allow our designers and marketing staff to evaluate and test the viability of different design ideas. Our rapid prototyping facility allow United Pacific to compress design cycles, improve manufacturing planning, shorten concept-to-shelf time, most importantly, generate new and innovative products.

## DESIGN

Located near some of the nation's most progressive automotive design centers, United Pacific established the UP Design Studio in 2002 to consolidate our position as the design leader in the automotive industry. UP Design Studio utilizes the latest generation of computer aided design (CAD) and studio/graphic software. The design studio is equipped with the newest computers and rapid prototyping systems. In addition, UP Design Studio is staffed by graduates from the nation's most prestigious design colleges. Unlike our competitors, United Pacific's design and manufacturing capabilities mean that we carry more new and original items than our competitors. The establishment of the design studio will enable us to generate even more new products with significant shorter concept-to-shelf time. The reduction in development cost mean that we can develop products utilizing design based development processes. Design based product development allows United Pacific to create new product concepts based on designs incorporating driver demands and needs instead of economic considerations. United Pacific's emphasis on design distinguishes and positions us ahead of our competitors.



## WARRANTY

With LED (Light Emitting Diodes) rated at 100,000 hours of operation and solid-state construction, United Pacific's LED lights are extremely reliable and durable. Purchase with confidence, United Pacific offers a complete line of LED lighting products with extended or limited lifetime warranties. Please see the warranty policy page for more details.

## INVENTORY AND SHIPPING

United Pacific carries over 20,000 items in our California distribution center. No other company in the heavy duty trucking industry can match United Pacific in the variety and range of in-stock inventories. With an order fill rate of over 98.5%, United Pacific is the largest and most reliable supplier in the industry. Our shipping department ships 96.8% of all orders within 24 hours and 98.9% within 48 hours. United Pacific's vast inventory and prompt shipping has made United Pacific the only source for our customer's chrome and lighting needs.



HARD AT WORK FOR THE ENVIRONMENT



United Pacific  
**132,000** sq ft

Distribution Center  
Long Beach, CA

**100%** reduction in potable water used for landscaping

**40%** reduction in total energy use due to high-efficiency mechanical and lighting systems

**82%** of construction waste was diverted from landfills

## LEED ACCOMPLISHMENTS

### Sustainable Sites

- On-site bicycle storage, showers and changing areas for company employees.
- Preferred parking for low-emitting, fuel-efficient and carpool vehicles.
- Storm water is infiltrated on-site and treated to remove contaminants to reduce environmental impact on local waterways.

### Water Efficiency

- In addition to using reclaimed water, drought-tolerant plants and a high-efficiency irrigation system were installed to reduce the use of potable water for irrigation by 100%.

### Energy and Atmosphere

- Efficient HVAC equipment and a lighting system with daylight controls reduces energy consumption by over 30%.
- Enhanced commission verifies that the building's energy and water-related systems are performing as intended by the initial design.

### Indoor Environmental Quality

- Building ventilation systems was designed to provide enhanced levels of fresh outside air to building occupants.
- Interior finishes (plants, sealants, adhesives, coatings, carpet systems and composite wood) were selected with low levels of volatile organic compounds (VOCs) to reduce indoor air contamination.



# SEMA SHOW BUILDS 2022

1975 Ford F-100 - Luis "Nacho" Rodriguez



## Ford F-100 Parts

- 31458 ULTRALIT LED 7" Headlight
- 111010 Black Exterior Mirror
- 110497 LED Sequential TL Retrofit Boards
- 110112 Tail Light-L/H
- 110113 Tail Light-R/H
- 36935 High Power Dual LED 1157 Bulb (Reverse Lights)
- 110969 Outside Door Handle-L/H
- 110970 Outside Door Handle-R/H

## Interior Parts "Not Shown"

- 110812 Window Regulator-L/H
- 110813 Window Regulator-R/H
- 110971 Chrome Inside Door Handle
- 110972 Chrome Inside Door Handle
- 36604 Bluetooth RGB Multi-Color LED Rock Light

**1976 GMC Jimmy - Terry & Sara Rose**



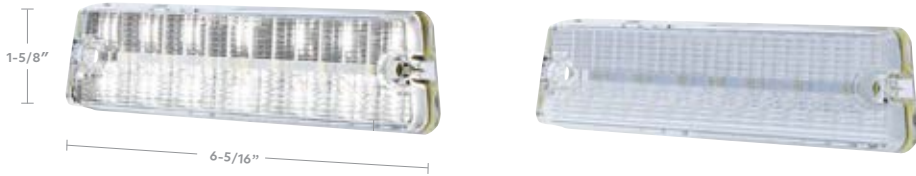
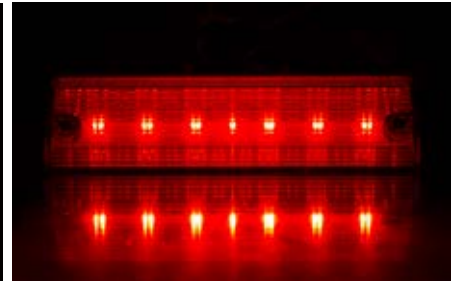
**GMC Jimmy Parts**

- 31513** ULTRALIT 3 LED 7" Headlight w/ Position Light Bar
- 110964** 17 Amber LED Front Parking Light w/ SS Trim-L/H
- 110965** 17 Amber LED Front Parking Light w/ SS Trim-R/H

- 110712** 15 Amber LED Side Marker w/ SS Trim
- 110843** LED Sequential Tail Light With Trim-L/H
- 110844** LED Sequential Tail Light With Trim-R/H



# NEW ITEMS



## 21 LED Cargo Light & Brake Light For 1973-87 Chevy & GMC Truck

- 14 white LED cargo light with integrated 7 red LED 3rd brake light feature
- Easy plug-in design with 1004 double contact plug as original
- Third brake light requires additional wiring. Wiring instructions included
- Epoxy coated, fully sealed electronics
- Energy efficient solid-state circuit board engineered for 12V DC systems
- Lifetime warranty

**110900** 1 Pc. / Each



## United Pacific C10 Truck Block Model

- Replica of the gray United Pacific Chevy C10 truck
- Total 161 pieces, swing open doors, and wood color bed floor
- Measures about 2-1/4" wide X 5-5/8" long X 2-1/8" tall
- Assembly manual available via QR code on inside of the box, and our website's Download Documents link

**99304** Set / Each





#### Front Bumper Bracket Kit For 1973-80 Chevy & GMC Truck

- Heavy 8 gauge steel reproduction with original style strengthening contour and features
- Black EDP coated to protect against corrosion
- Precision punched mounting holes
- Mounting hardware (1/2"-13 fasteners) included

**110929** 4 Pcs. / Set



#### Outer Rear Wheelhouse Panel For 1973-87 Chevy & GMC Fleetside Truck

- Quality stamped 19 gauge sheet metal
- Features the original style strengthening rib design
- Precision punched mounting holes for inner rear wheel house
- Black EDP coated for rust protection

**111004** L/H 1 Pc. / Each

**111005** R/H 1 Pc. / Each



# NEW ITEMS

## Front Parking Light & Housing For 1973-80 Chevy & GMC Truck

### 17 LED Front Parking Light With Amber Lens

- High quality injection molded polycarbonate lens
- Electronics completely sealed in epoxy to resist corrosion and moisture
- Features 17 bright SMD type LEDs
- Beautiful stainless steel trim
- Dual function with parking light & bright turn signal
- Easy electrical connection with 1157 plug, no modification to vehicle
- Lifetime warranty

**110885** L/H 1 Pc. / Each

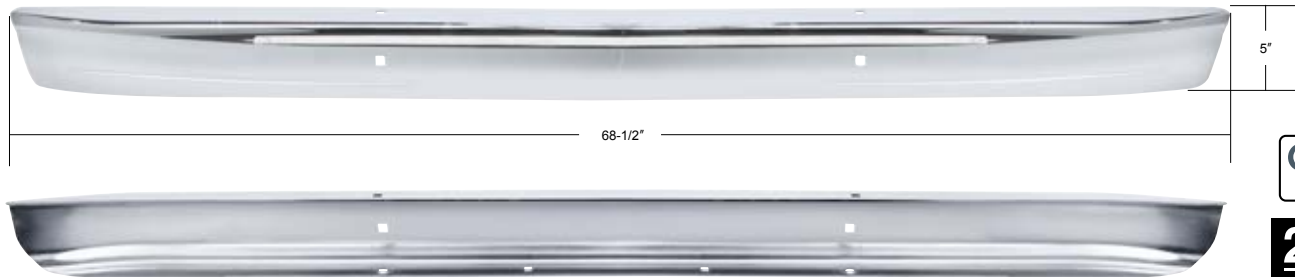
**110886** R/H 1 Pc. / Each



### Black EDP Parking Light Housing With Gasket

- Quality 17 gauge stamped steel reproduction
- Features original spec #8-32 welded nuts for parking light lens
- Black EDP finish helps prevent corrosion
- Black foam gasket included
- Parking light plug receptacle not included

**111002** 1 Pc. / Each



**Chrome**  
Finish

**2** YEAR WARRANTY

### Chrome Bumper For 1966-77 Ford Bronco

- Made with heavy duty LIFETIME WARRANTY 1/8" thick steel
- Can be used as the front or rear bumper
- Features all original square shaped mounting holes
- Recommended item: bumper bolt set, item #110536
- Installation Note: Bumper brackets must align flush with inside of bumper and bumper bolt holes. No warranty on bumpers that show evidence of damage from improper bracket alignment, or use of bumper bolt to force the alignment
- Show ready chrome plating finish

**110465** 1 Pc. / Each





110988 & 110989 - Power 4-way Mirror:  
Power, adjustable mirror with manual fold-away feature with OE style connector plug



110986 & 110987 - Manual foldable mirror

### Black Door Mirror For 1988-2000 Chevy & GMC Truck

- High quality original reproduction with durable plastic housing in black
- Overmolded mounting studs with nuts in OE positions for easy installation
- Black rubber base pad included
- Also fits 1992-1999 Suburban, 1995-2000 Tahoe, 1992-1994 Blazer, 1992-2000 Yukon

<b>110986</b>	<b>Manual Foldable Mirror</b>	<b>L/H</b>	<b>1 Pc. / Each</b>
<b>110987</b>	<b>Manual Foldable Mirror</b>	<b>R/H</b>	<b>1 Pc. / Each</b>
<b>110988</b>	<b>Power 4-way Mirror</b>	<b>L/H</b>	<b>1 Pc. / Each</b>
<b>110989</b>	<b>Power 4-way Mirror</b>	<b>R/H</b>	<b>1 Pc. / Each</b>

110923

110923

110924

110924

### Fuel Tank Mounting Bracket With Strap For 1973-87 Chevy & GMC Truck

- Heavy duty 11 gauge steel with original strengthening contour
- Features 16 gauge steel strap with OE spec threaded rod
- Direct bolt-on installation with welded OE size nuts
- Quality black painted finish

<b>110923</b>	<b>Front</b>	<b>1 Pc. / Each</b>
<b>110924</b>	<b>Rear</b>	<b>1 Pc. / Each</b>



# NEW ITEMS

## Clear Front Parking Light & Housing For 1973-80 Chevy & GMC Truck

### 17 Amber LED Front Parking Light With Clear Lens

- High quality injection molded polycarbonate lens
- Fully epoxy sealed electronics to resist corrosion and moisture
- Feature 17 bright SMD type amber LEDs
- Beautiful stainless steel trim
- Dual function with parking light & bright turn signal
- Easy electrical connection with 1157 plug, no modification to vehicle
- Some applications may require the indexing tab to be removed
- DOT/SAE, FMVSS 108

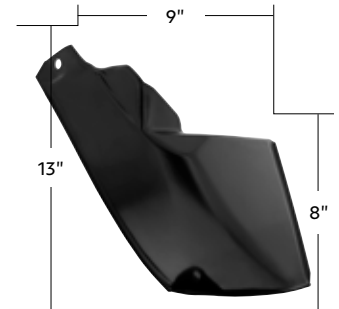
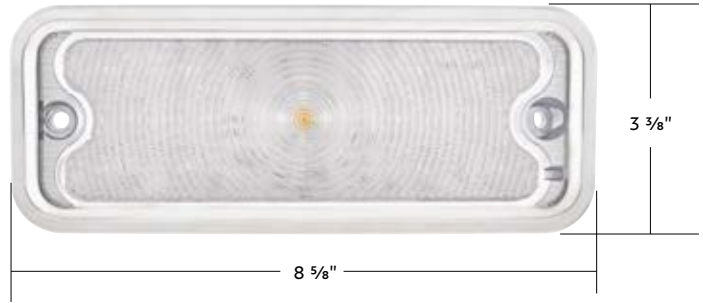
<b>110964</b>	Clear Lens / Amber LED <span style="color:red">NEW</span>	1 Pc. / Color Box
<b>110965</b>	Clear Lens / Amber LED <span style="color:red">NEW</span>	1 Pc. / Color Box
<b>110885</b>	Amber Lens / Amber LED	1 Pc. / Color Box
<b>110886</b>	Amber Lens / Amber LED	1 Pc. / Color Box

**17 LEDs**

**DUAL FUNCTION**

**STAINLESS STEEL BEZEL**

**LIFETIME WARRANTY**



## Rear Fender Inner Splash Shield For 1967-72 Chevy & GMC Truck Fleetside

- Quality die stamped 17 gauge steel reproduction
- Features original design features and precision punched mounting holes
- Black painted with e-coating process to help protect against rust
- Also fits 1969-72 Chevy Blazer, and 1970-72 GMC Jimmy

<b>110961</b>	L/H 1 Pc. / Each
<b>110962</b>	R/H 1 Pc. / Each

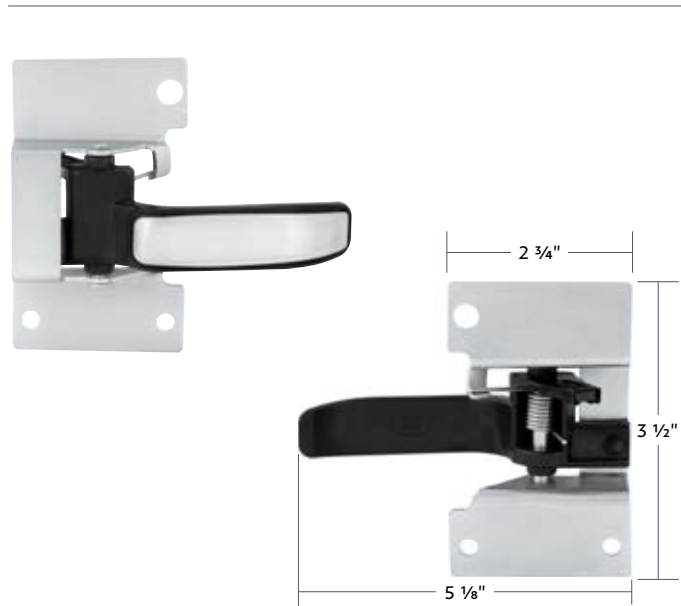
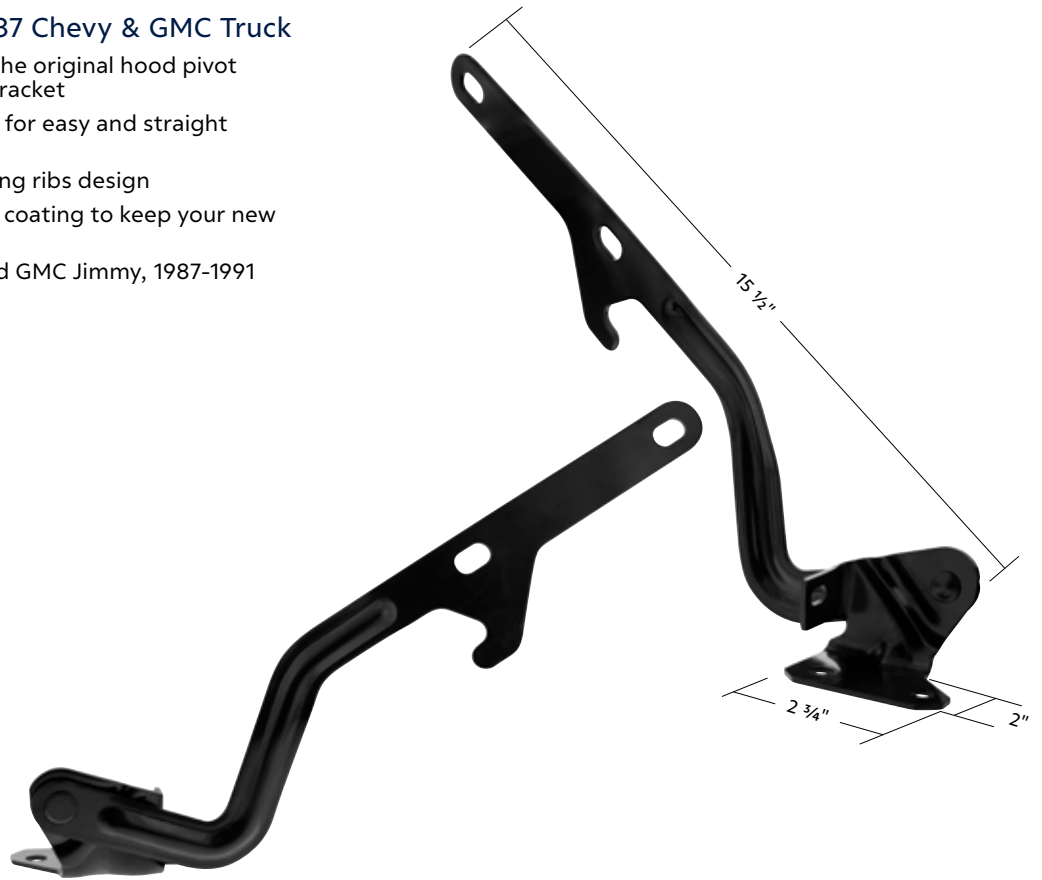


## Hood Pivot Hinge For 1981-1987 Chevy & GMC Truck

- Heavy duty steel reproduction of the original hood pivot hinge with machine riveted base bracket
- Precision punched mounting holes for easy and straight forward installation
- Features original style strengthening ribs design
- Finished with black EDP protective coating to keep your new steel fresh and rust-free
- Also fits 1981-1991 Chevy Blazer and GMC Jimmy, 1987-1991 Chevy & GMC Suburban

**110995** L/H 1 Pc. / Each

**110996** R/H 1 Pc. / Each



## Interior Door Handle For 1977-80 Chevy & GMC Truck

- Quality OE style reproduction plastic handle with steel mounting bracket
- Precision punched mounting holes for straight forward installation
- Durable aluminum handle cover with brushed look
- Original style latch rod attachment design

**110976** L/H 1 Pc. / Each

**110977** R/H 1 Pc. / Each



## Black Polymer Battery Hold Down Bracket For Ford Bronco & Truck

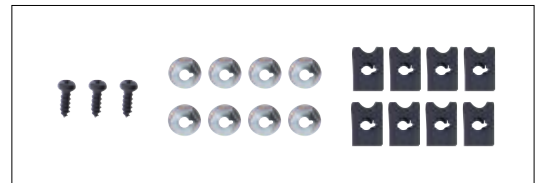
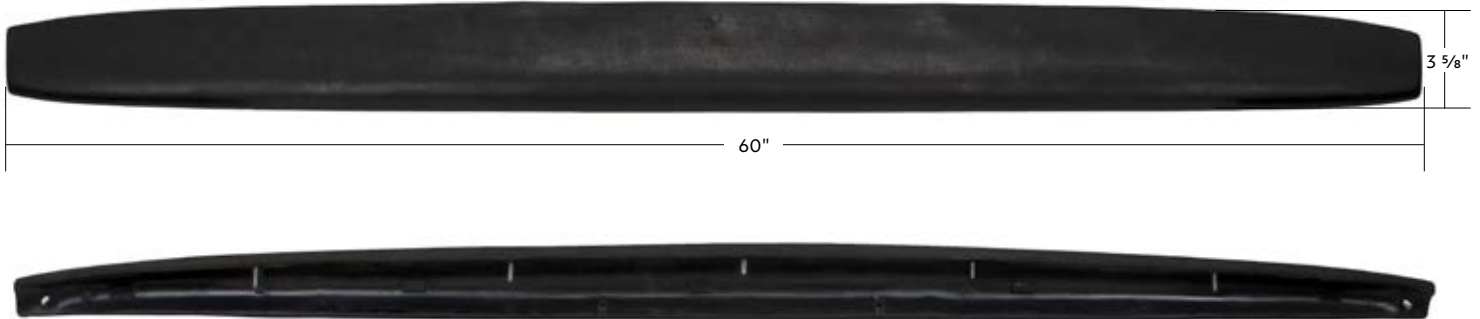
- Made of quality thermoplastic polymer, reinforced with glass fiber
- Features original design w/ reinforcing rib structures and contour
- Two zinc plated J-bolts w/ matching serrated flange nuts included

**110982** Bronco 1970-77 & Truck 1965-72 1 Pc. / Each

**110983** Bronco 1978-79 & Truck 1973-79 1 Pc. / Each



# NEW ITEMS



*(1967-1972) Chevy & GMC Truck*

## Black Dash Pad

Beautiful Reproduction in Black Polyurethane with OE Style Texture

- Reinforced foam insert and steel strip for additional mounting hole support.
- Mounting screws, speed nuts, and speed clips included.
- Due to tight fit, modification is required on the existing dash mounting holes.
- Also fits 1967-72 Chevy & GMC Suburban, 1969-72 Blazer, and 1970-72 Jimmy.



<b>111018</b>	<b>Black Dash Pad</b>	1 Pc. / Box
---------------	-----------------------	-------------

*(1980-1996) Ford Bronco, F-150 & F-250*

## Chrome Outside Door Handle

- Beautiful chrome plated finish with triple chrome plating process.
- Quality zinc die-cast with original contour and features.
- Durable black plastic push button.
- Mounting studs and nuts included for easy installation (M6X1.0 threaded).
- OE style latch rod bracket for straight forward door latch rod connection.



<b>110966</b>	<b>Left Hand</b>	1 Pc. / Each
<b>110967</b>	<b>Right Hand</b>	1 Pc. / Each



*(1980-1996) Ford Bronco & F-Series Truck*  
**Upper Door Hinge**

- Heavy duty 0.175" thick zinc plated steel reproduction.
- Precision milled door and A-pillar mounting holes to OE specification for easy installation.

<b>111022</b>	<b>Left Hand</b>	1 Pc. / Each
<b>111023</b>	<b>Right Hand</b>	1 Pc. / Each



*(1980-1996) Ford Bronco & F-Series Truck*  
**Lower Door Hinge**

- Heavy duty steel reproduction of the original.
- Black powder coated finish.
- Precision CNC milled mounting holes.
- Fits left or right hand side.

<b>110968</b>	<b>L/H or R/H Black Door Hinge</b>	1 Pc. / Each
---------------	------------------------------------	--------------



*(1978-1979) Ford Bronco & (1973-1979) F-Series Truck*  
**Chrome Inside Door Handle**

- Exceptional quality zinc die-cast.
- Beautiful high quality chrome plated finish with triple chrome plating process.
- Original design with nicely rounded edges.
- Mounting screw included.

<b>110971</b>	<b>Left Hand</b>	1 Pc. / Each
<b>110972</b>	<b>Right Hand</b>	1 Pc. / Each



*(1981-1986) Chevy & GMC Truck*  
**Interior Window Crank Handle**

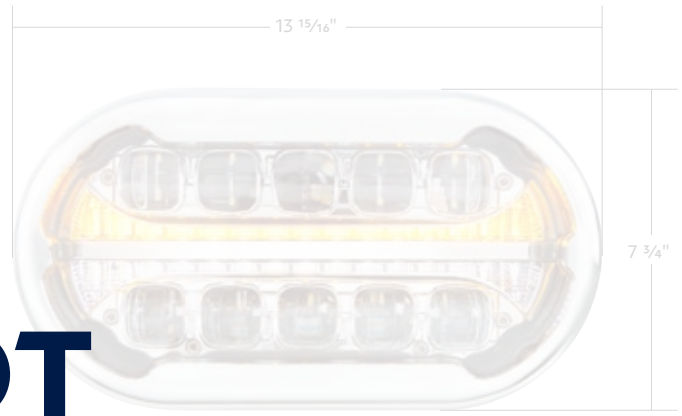
- Beautiful quality zinc casting handle.
- Durable original style black plastic knob.
- Easy installation with OE spec spline and retainer clip.
- Also fits 1982-94 Suburban/S10/S15, and 1983-97 Blazer/Jimmy.

<b>110980</b>	<b>Chrome Plated</b>	1 Pc. / Each
<b>110981</b>	<b>Black Painted</b>	1 Pc. / Each

# ULTRALIT™ PLUS R

## Full LED Projector Headlight Retrofit Module with Chrome Bezel

- Headlight module designed for custom application in classic cars and trucks.
- Can work as retrofit on other vehicles to replace dual 5-3/4" headlights.
- Unique headlight design with double-row individual LED projectors.
- 10 super bright high beam and low beam LEDs behind quality polycarbonate lens.
- 15 LEDs center divider bar with amber LED turn signal and white LED DRL.
- Chrome plated molded plastic front bezel with screwless clip-on design.
- Energy efficient solid-state circuit board operating on 12V DC systems.
- Wiring to vehicle's headlight harness is required, pigtail with stainless steel wire loom included.
- Fits left or right hand side.
- Module only: Customer responsible to modify the vehicle housing, fender or grille.
- Install note: adjust low and high beam aim before snapping front bezel in place.
- DOT/SAE, FMVSS 108.

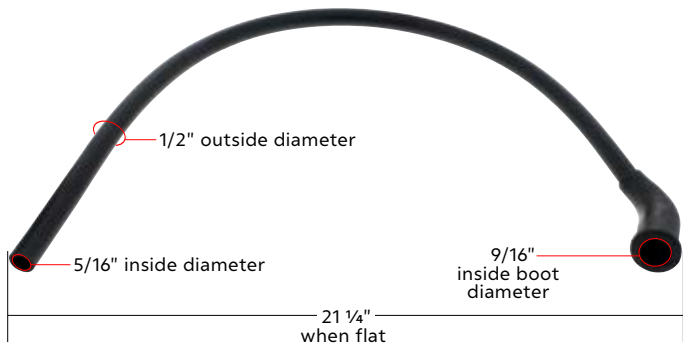
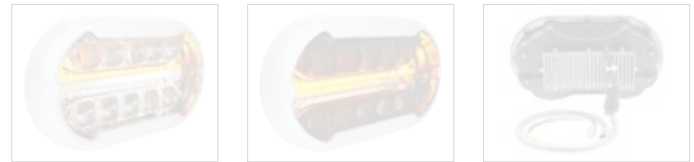


**NOT AVAILABLE**

**CONTACT US FOR DETAILS**

<b>111020</b>	<b>Chrome Inner Housing</b>	1 Pc. / Box
<b>111021</b>	<b>Black Inner Housing</b>	1 Pc. / Box

High Beam **4000** Lumens | Low Beam **4000** Lumens | **100%** LED Lights | LED Turn Signal | LED Position Light | **DOT & SAE**



### Classic Chevy Truck Tail Light Rubber Conduit

- Original style tail light rubber conduit.
- Perfect for replacing that wore out cracked wiring conduit.

**C545504-2** Black Tail Light Rubber Conduit 1 Pc. / Each



### (1955-1957) Chevy Passenger Car & Corvette Brake & Clutch Pedal Pad

- High quality durable rubber.
- Recessed back to fit over the original steel pedal.
- OE Number: (C555702) 3657980

**C555702** Brake & Clutch Pedal Pad 1 Pc. / Each





# NEW ITEMS



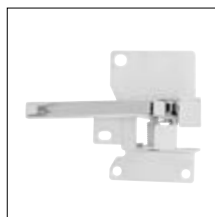
1981-1987 Chevy & GMC Fleetside Truck

## Rear Bumper Bracket Kit

- Heavy duty 9 gauge steel reproduction
- Precision punched mounting holes
- Black EDP coating for durability
- Mounting hardware included



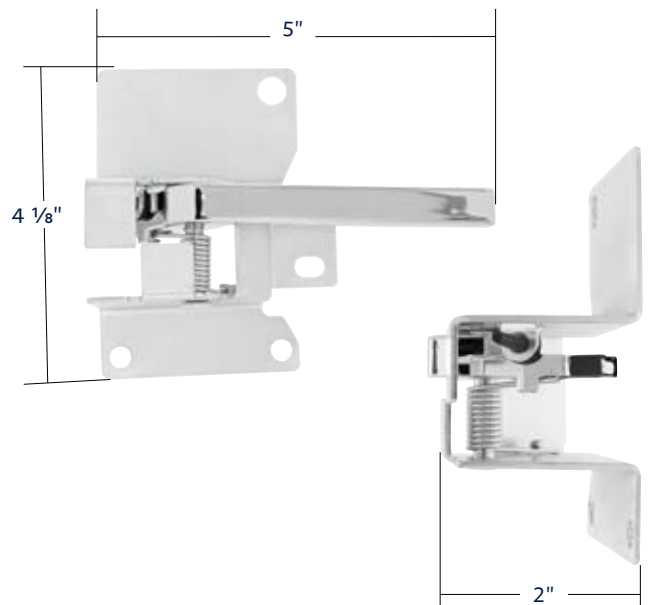
**110930**    **Rear Bumper Bracket Kit**    Wbox



1981-1987 Chevy & GMC Truck

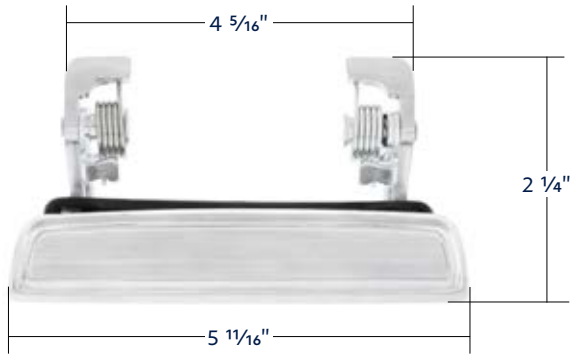
## Inside Door Handle

- Beautiful high quality chrome plated finish with triple chrome plating process
- Zinc die-cast handle with nicely rounded edges for durability and comfort
- Original style mounting bracket with quality coil spring
- Also fits 1981-91 Chevy/GMC Suburban, 1981-86 K5 Blazer, 1987-91 Blazer, and 1981-1991 Jimmy



**110978**    **Left Hand**    1 Pc. / Each

**110979**    **Right Hand**    1 Pc. / Each

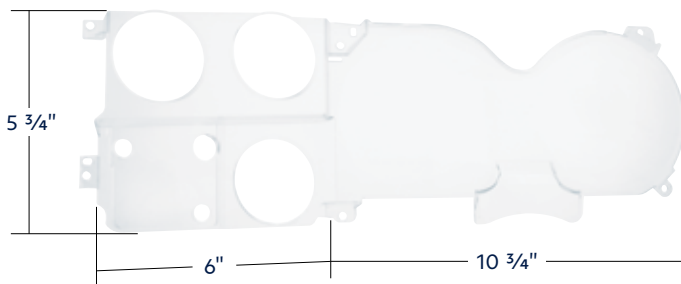


1978-1979 Ford Bronco & 1973-1979 Ford Truck

### Outside Door Handle

- Beautiful chrome plated finish with triple chrome plating process
- Quality zinc die-cast with original contour and features
- Feature original horizontal line design detail on the handle
- Rubber pad, mounting studs with matching serrated flange nuts included for easy installation
- OE style inner arm design for straight forward door latch rod connection

<b>110969</b>	<b>Left Hand</b>	1 Pc. / Each
<b>110970</b>	<b>Right Hand</b>	1 Pc. / Each



1973-1987 Chevy & GMC Truck

### Clear Acrylic Instrument Cluster Lens

- Quality crystal clear acrylic lens
- Perfect for replacing that old cracked gauge cluster lens
- Easy to install with original style design and mounting tabs
- Gauges without clock

<b>110963</b>	<b>Clear Instrument Cluster Lens</b>	1 Pc. / Each
---------------	--------------------------------------	--------------



Recommended Item 110922

1966-1977 Ford Bronco

### Black EDP License Plate Bracket

- Heavy gauge steel reproduction of the original rear license plate bracket with screws
- Features spring mounting base for flip-out position when tailgate is down
- Precision punched screw hole and license plate light bracket clearance pocket
- Fits standard US license plate w/ 6 15/16" mounting hole spacing
- Recommended Item #110922: 4 White LED License Plate Light with 304 Stainless Steel Bracket
- Overall dimensions length 12 1/8" by height 8 1/4"

<b>110881</b>	<b>Black</b>	1 Pc. / Each
---------------	--------------	--------------



### 2021 Classic New Item Flyer Collection

- Collection of United Pacific's 2021 new items for classic car and truck

<b>ANF1221</b>	<b>2021 New Product Collection</b>	1 Pc. / Each
----------------	------------------------------------	--------------



### United Pacific Calligraphy T-Shirt

- 100% cotton black t-shirt
- One color white print, custom calligraphy
- Printed interior neck label

<b>99306M</b>	<b>United Pacific Calligraphy T-Shirt - M</b>	1 Pc. / Each
<b>99306L</b>	<b>United Pacific Calligraphy T-Shirt - L</b>	1 Pc. / Each
<b>99306XL</b>	<b>United Pacific Calligraphy T-Shirt -XL</b>	1 Pc. / Each
<b>99306XXL</b>	<b>United Pacific Calligraphy T-Shirt - XXL</b>	1 Pc. / Each



### Calligraphy C10 T-Shirt

- 100% cotton tan t-shirt
- One color gray print, custom calligraphy lettering and 71' C10 graphic
- Printed interior neck label

<b>99307M</b>	<b>Calligraphy C10 T-Shirt - M</b>	1 Pc. / Each
<b>99307L</b>	<b>Calligraphy C10 T-Shirt - L</b>	1 Pc. / Each
<b>99307XL</b>	<b>Calligraphy C10 T-Shirt - XL</b>	1 Pc. / Each
<b>99307XXL</b>	<b>Calligraphy C10 T-Shirt - XXL</b>	1 Pc. / Each



# NEW ITEMS



110545



110546

### 1988-2002 Chevy & GMC OBS Truck

## 16 LED Tail Light (Pair)

Features 16 Bright Red LEDs with Running, Stop and Turn Signal Operation

- Quality engineered plastic lens with durable polycarbonate housing
- Easy plug-in design with OE style connector
- Original style rear housing mounting tabs
- Compatible with standard 12V DC system
- Uses standard 3157 type bulb for back-up light (bulb not included)
- Also fits 1992-99 Chevy/GMC Suburban, 1995-99 Chevy Tahoe, 1992-94 Chevy Blazer & GMC Jimmy, and 1992-99 GMC Yukon
- Due to design of the rear mounted resistors, might require slight modification to taillight housing for proper fitment

110545	Red LED	Red & Clear Lens	2 Pc. / Wbox
110546	Red LED	Smoke & Clear Lens	2 Pc. / Wbox



**16**  
LEDs

**LED** Turn Signal & Position

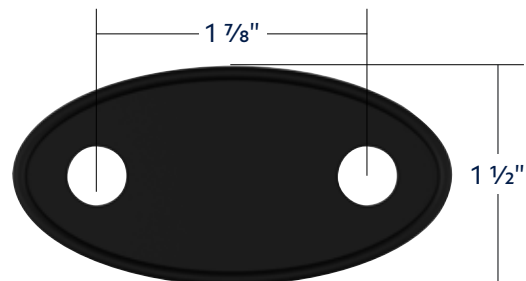
**EASY PLUG-IN**

### 1947-55 Chevy & GMC Truck

## Rubber Door Mirror Mounting Pad

- Quality reproduction with silicon rubber
- Original style helps protect paint from scratches
- Raised lip to keep pad in place

110702	Door Mirror Mounting Pad	1 Pc. / Each
--------	--------------------------	--------------

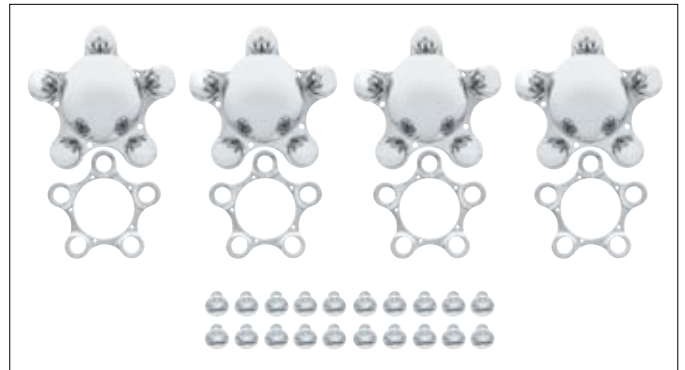




**Chrome 5 on 5" Vintage Spider Wheel Hub Cover (4/Set)**

- Beautiful high quality chrome plated finish with triple chrome plating process
- 5 on 5" bolt pattern
- Best on the market, made of die-cast metal, not plastic
- Comes complete with mounting hardware
- These fit most wheels and give your vehicles a cool look
- Set of four

**C8061** Spider Wheel Hub Cover 4 Pc. / Set

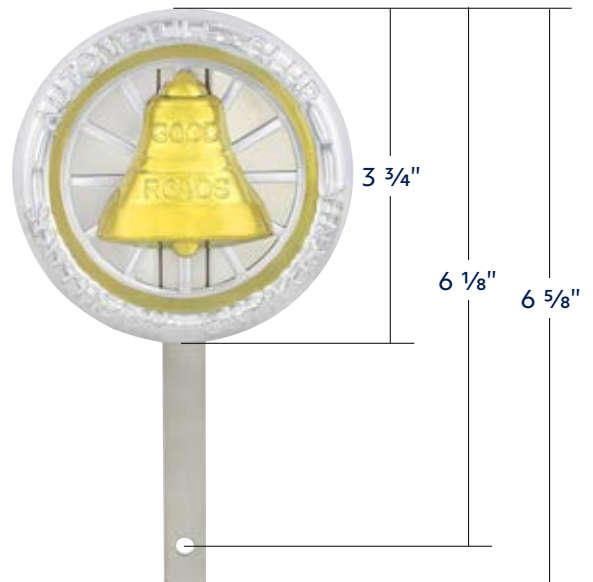


**NEW DESIGN**

**United Pacific Flat Bill Cap**

- 5 panel structured black and gray hat
- Classic UPI logo embroidery
- Adjustable Snapback

**99099** Flat Bill Cap 1 Pc. / Each



**BACK IN STOCK**

**Chrome License Frame Ornament With Brass Bell**

- Chrome ring and brass bell on stainless steel bracket

**C5022** License Frame Ornament 1 Pc. / Each

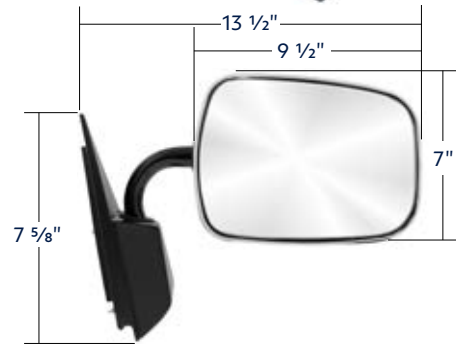


# NEW ITEMS

## 1988-1998 Chevrolet & GMC Truck Stainless Steel Door Mirror

- Quality stainless steel mirror cover with a brushed look
- Black EDP original style steel J-arm and base
- High quality steel base and arm with fold-away design
- Rubber pad and mounting screws included
- Also fits 1995-1998 Tahoe, 1988-1994 Blazer, 1988-1994 GMC Jimmy, and 1992-1998 GMC Yukon

<b>110957</b>	<b>Left Hand</b>	1 Pc. / Wbox
<b>110958</b>	<b>Right Hand</b>	1 Pc. / Wbox



## 1983-88 Chevy Truck & Suburban Parking & Turn Signal Light

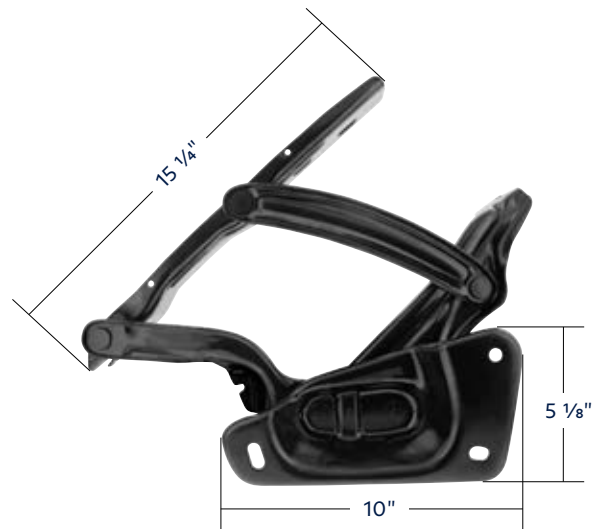
- Quality reproduction of the original lens pattern and housing
- Durable ABS rear housing with opening for OE style light socket (not included)

<b>111024</b>	<b>Left Hand</b>	1 Pc. / Wbox
<b>111025</b>	<b>Right Hand</b>	1 Pc. / Wbox

## 1973-1980 Chevy & GMC Truck Hood Hinge

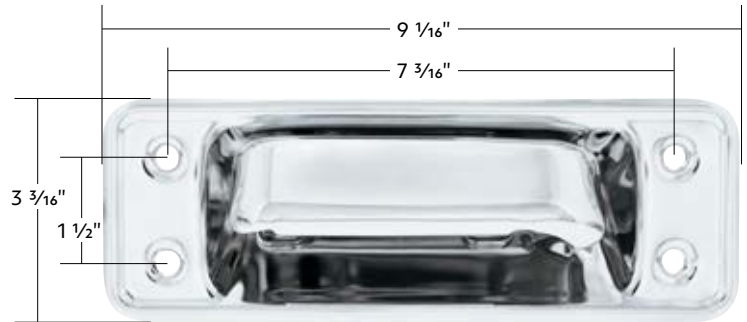
- Heavy duty 12 gauge steel reproduction of the original hood hinge style and design
- Finish with black EDP protective coating to keep your new steel fresh and rust-free
- Hinge spring not included

<b>110991</b>	<b>Left Hand</b>	1 Pc. / Each
<b>110992</b>	<b>Right Hand</b>	1 Pc. / Each





# NEW ITEMS



1966-1977 Ford Bronco & 1964-1972 Truck

## Tailgate Handle Assembly

- Excellent quality steel reproduction of the original
- Easy to install, simply connect tailgate's two latch rods and mounts with existing screws (not included)
- Mounting gasket included

<b>110905</b>	<b>Stainless Steel</b>	1 Pc. / Wbox
<b>110956</b>	<b>Black</b>	1 Pc. / Wbox



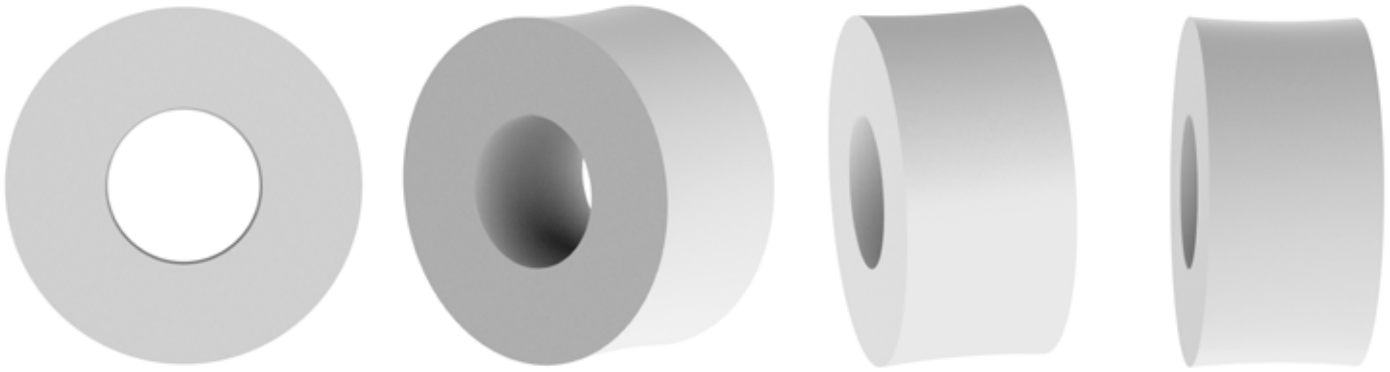
1966-1977 Ford Bronco & 1967-1979 Truck

## Black Exterior Mirror

- Exceptional quality zinc die-cast
- Satin black mirror housing and mounting arm
- Includes mounting pad and screws
- Fits left hand or right hand side

<b>111010</b>	<b>Black Exterior Mirror</b>	1 Pc. / Cbox
---------------	------------------------------	--------------





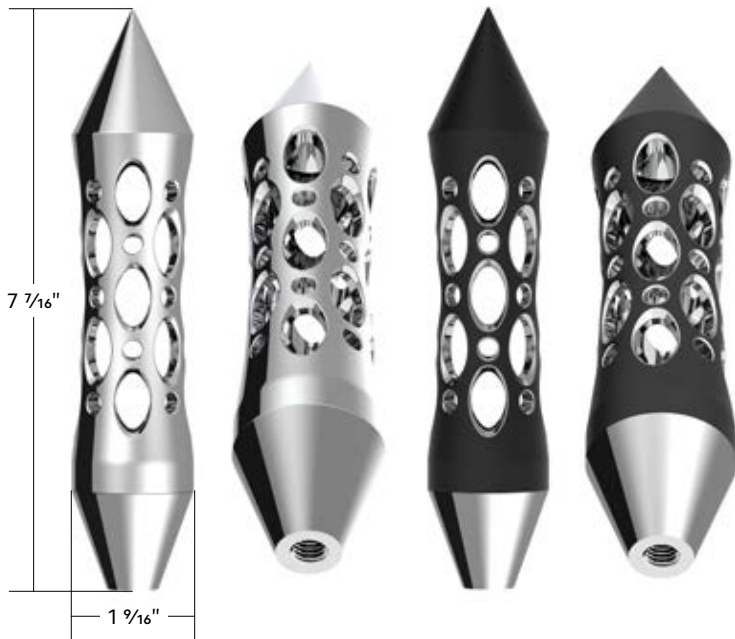
**NEW &  
IMPROVED!**

1960-1966 Chevy & GMC Truck

### Glove Box Hinge Bushing

• OD 0.622", ID 0.275", thickness 0.298"

**110402**    Glove Box Hinge Bushing    1 Pc. / Each



### Daytona Style Spike Grip Handle With Beer Tap Adapter

- Beautiful chrome plated finish with triple chrome plating process
- High quality CNC machined grip handle and adapter
- Great add-on to any home bars, pub or restaurant draft beer faucet with 3/8"-16 male beer tap threads. (Faucet not included)

**70892**    **Chrome**    1 Pc. / Card

**70893**    **Black**    1 Pc. / Card







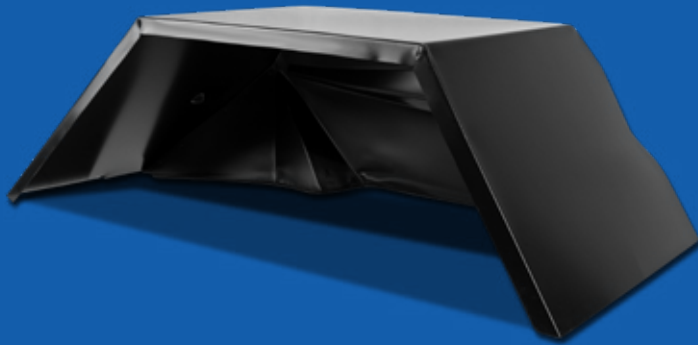
NEW ITEMS // September 2022

### Black EDP Front Wheel House

**1966-1977 Ford Bronco**

- High quality 18 gauge stamped steel reproduction
- Features all original design and tough spot welded construction
- Finished with black EDP protective coating to keep your new steel fresh and rust-free
- Popular 1973-1975 design works best with most steering setups and aftermarket power brake setup

<b>110984</b>	Front Wheel House	Left Hand	1 Pc. / Each
<b>110985</b>	Front Wheel House	Right Hand	1 Pc. / Each





**Side Marker Lens**

**1973-1979 Ford Truck**

- High quality polycarbonate lens with OE style lens pattern
- Durable plastic rear housing with OE style light socket opening (socket & bulb not included)
- Easy installation, mounts directly onto fender side marker pocket like the original
- Includes mounting gasket
- Fits L/H or R/H side

<b>111072</b>	Front Side Marker	Amber Lens	1 Pc. / Each
<b>111073</b>	Rear Side Marker	Red Lens	1 Pc. / Each



111072



111073



**Mirror Gasket**

**1955-1959 Chevy & GMC Truck**

- Quality durable black rubber
- Original style, perfect for replacing a worn out pad

<b>110703</b>	Mirror Gasket	1 Pc. / Each
---------------	---------------	--------------

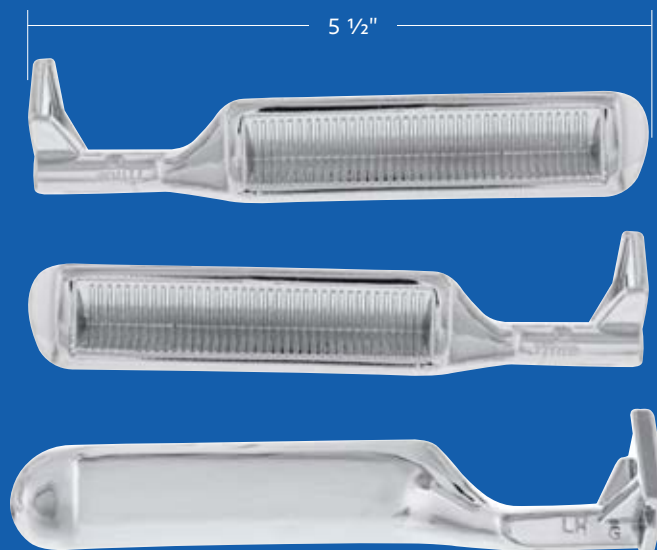


**Hood Rubber Bumper Kit (10/Set)**

**1947-1955 Chevy & GMC Truck**

- Quality durable black rubber
- Original style, perfect for replacing worn out pieces

<b>110693</b>	Hood Bumper Kit (10/Set)	10 Pc. / Each
---------------	--------------------------	---------------

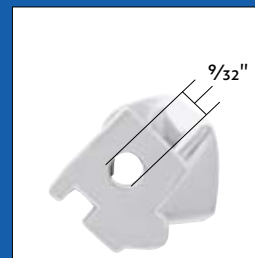
**NEW ITEMS // October 2022**

**Chrome Die-Cast Interior Door Handle**
**1980-1986 Ford Bronco & Truck**

- Exceptional quality zinc die-cast
- Chrome plated finish with triple chrome plating process
- Original style for straight forward installation
- Also fits later 1987-96 Ford Bronco and trucks

**111030** | Left Hand

**1 Pc. / Each**
**111031** | Right Hand

**1 Pc. / Each**
**Chrome**  
Finish

**ExacFit™**  
OE Style Door Handle

**Black Plastic Interior Door Handle**
**1987-1996 Ford Bronco & Truck**

- Quality injection molded plastic for durability
- Original style for straight forward installation
- Also fits earlier 1980-1986 Ford Bronco and trucks

**111028** | Left Hand

**1 Pc. / Each**
**111029** | Right Hand

**1 Pc. / Each**




**304 Stainless Steel Parking Light Bezel**

**1973-1980 Chevy & GMC Truck**

- Made of 304 premium grade stainless steel
- Slightly bent tabs for easy installation

**110744 | SS Front Parking Light Bezel | 1 Pc. / Each**



**Fuel Sending Unit**

**1985-1986 Ford Bronco With 33 Gallon Tank**

- Made with corrosion resistant stainless steel sheet
- Brass float just like the original
- Includes rubber seal, stainless steel lock ring, and strainer
- 3/8" diameter fuel line inlet

**111040 | 33 Gallon Fuel Sending Unit | 1 Pc. / Each**



**Fuel Sending Unit**

**1980-1984 Ford Truck With 16-1/2 Gallon Tank**

- Made with corrosion resistant stainless steel sheet
- Brass float just like the original
- Includes rubber seal, stainless steel lock ring, and strainer
- 5/16" diameter fuel line inlet

**111039 | 16-1/2 Gallon Fuel Sending Unit | 1 Pc. / Each**



**Fuel Sending Unit**

**1978-1979 Ford Bronco With 33 Gallon Tank**

- Made with corrosion resistant stainless steel sheet
- Brass float just like the original
- Includes rubber seal, stainless steel lock ring, and strainer
- 3/8" diameter fuel line inlet

**111038 | 33 Gallon Fuel Sending Unit | 1 Pc. / Each**



### Fuel Sending Unit

**1973-1979 Ford Truck**

- Made with corrosion resistant stainless steel sheet
- Brass float just like the original
- Includes rubber seal, stainless steel lock ring, and strainer
- 3/8" diameter fuel line inlet

**111042 | Fuel Sending Unit | 1 Pc. / Each**



### Fuel Sending Unit

**1957-1960 Ford Truck**

- Made with corrosion resistant stainless steel sheet
- Brass float just like the original

**111041 | Fuel Sending Unit | 1 Pc. / Each**



### Fuel Sending Unit

**1972 Chevy & GMC Truck**

- Made with corrosion resistant stainless steel sheet
- Brass float just like the original
- Includes rubber seal, stainless steel lock ring, and strainer
- 3/8" diameter fuel line inlet

**111045 | Fuel Sending Unit | 1 Pc. / Each**



### Fuel Sending Unit

**1960-1966 Chevy & GMC Truck**

- Made with corrosion resistant stainless steel sheet
- Brass float just like the original
- Includes rubber seal and strainer
- 5/16" diameter fuel line inlet

**111043 | Fuel Sending Unit | 1 Pc. / Each**

**NEW ITEMS // November 2022**

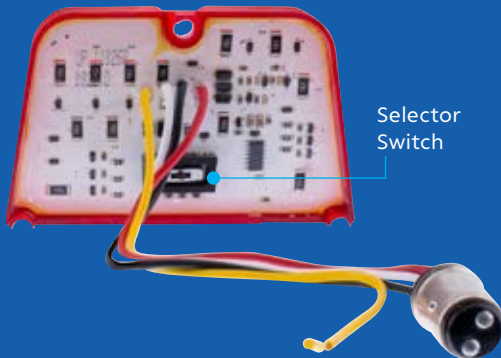

## 26 LED Sequential Tail Light

### 1962-1964 Chevy Nova

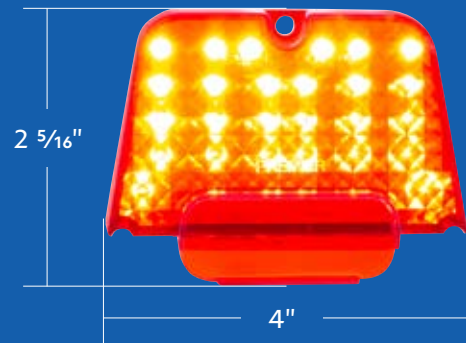
- Super bright red LED with high quality injection molded polycarbonate lens
- Epoxy coated, fully sealed electronics
- Easy electrical connection with 1157 plug, no modification to vehicle
- Energy efficient solid-state circuit board engineered for 12V DC systems
- LED compatible flasher required for proper operation, item #90652 or 90649
- Features sequential operation with selector switch to select sequential left, sequential right, or sequential function off
- Also features brake attention option with sequence-once function

**110268** | 26 LED Sequential Tail Light | 1 Pc. / Card

**26LEDs**



Selector Switch



## 32 LED Backup Light

**Recommended Item #CBL6264LED**



View at our booth

**SEMA SHOW 2022**

**Booth #23277 in Hot Rod Alley**



35887



35888



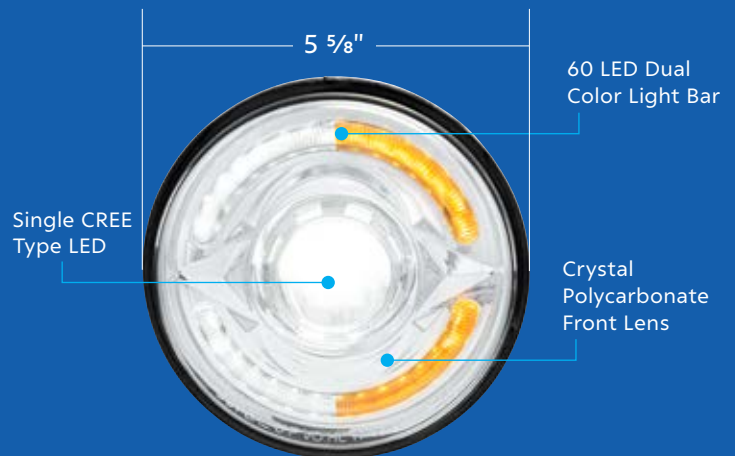
# ULTRALIT™

## 30 LED 5-3/4" Round Headlight W/ 60 LED Dual Color Light Bar

### 5-3/4" Round Headlight

- Single CREE type LED with bright 1000 lumens output
- Features 30 dual color LEDs, bright white and amber LED position light bars
- Amber LEDs automatically overrides white LEDs when powered, perfect for use as turn signal
- Beautiful crystal polycarbonate front lens
- Reinforced aluminum reflector, rugged anti-vibration construction
- Perfect for all 4 headlamp systems in cars and trucks.
- Easy plug-in design with H4 plug for main high beam/low beam function
- Wiring required for white and amber LED position light  
Wiring code: Yellow wire=Amber LEDs,  
Red wire=White LEDs
- 12-24V DC compatible
- DOT/SAE, FMVSS 108

35887	Amber/White	Low Beam	1 Pc. / Cbox
35888	Amber/White	High Beam	1 Pc. / Cbox



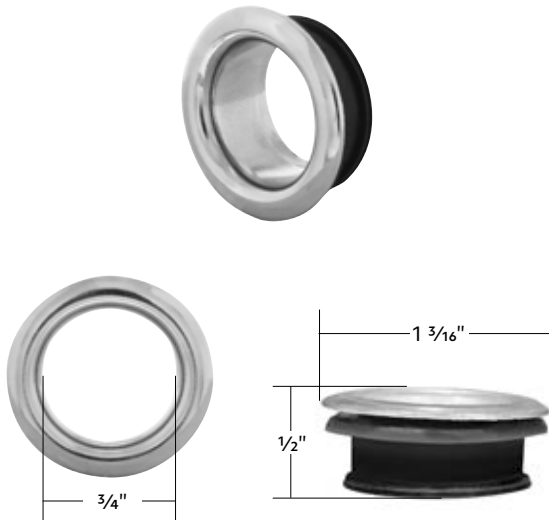


### Exterior Door Handle

#### 1973-1991 Chevrolet & GMC Truck

- Chrome plated finish with triple chrome plating process
- Designed to fit and function like OE part
- Also fits 1973-1991 Chevrolet Blazer/Suburban & GMC Jimmy/Suburban
- Includes rubber mounting gaskets, two 1/4"-28 x 1-1/8" studs, and two nuts for installation

<b>111058</b>	Left Hand	1 Pc. / Each
<b>111059</b>	Right Hand	1 Pc. / Each

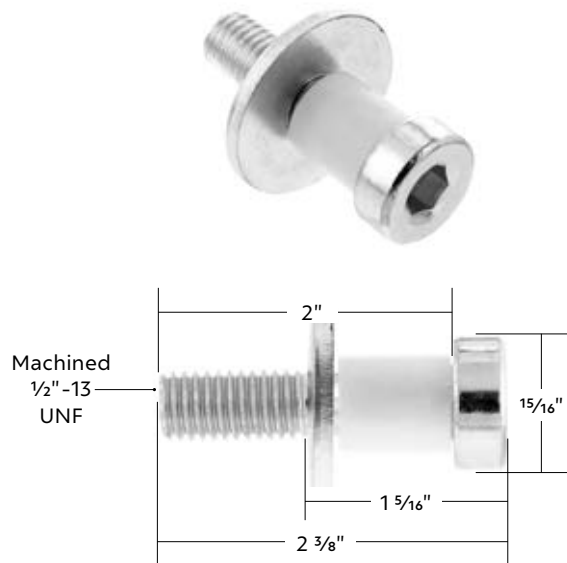


### 304 SS Door Handle Ferrule

#### 1938-1946 Chevrolet Passenger Car/Truck

- Premium grade 304 stainless steel
- Original style shape and size
- Rubber grommet included

<b>C384001</b>	304 Stainless Steel	1 Pc. / Each
----------------	---------------------	--------------



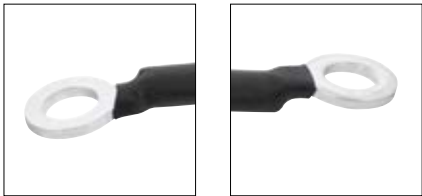
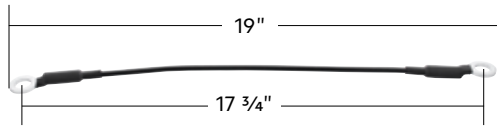
### 2" Long Door Striker Bolt, 1/2"-13 Thread

#### 1973-1991 Chevrolet & GMC Truck

- Direct replacement for OE striker bolt
- Includes 0.14" thick metal flat washer and 0.70" O.D. nylon sleeve
- 2" long bolt, 1/2"-13 thread

<b>111069</b>	1/2"-13 thread	1 Pc. / Each
---------------	----------------	--------------



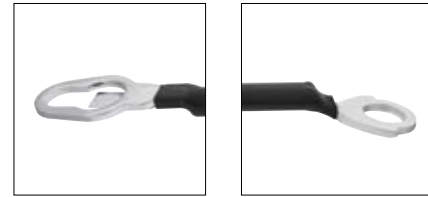
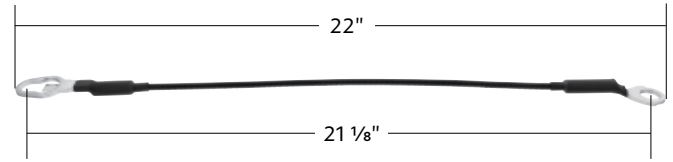


### 17-3/4" Tailgate Cable

**1980-1996 Ford Bronco**

- Measures 17-3/4" center to center between two eyebolts
- Heavy duty 5/32" thick eyebolts with 19/32" inside diameter opening
- Steel inner cable with quality black nylon outer sleeve

**111035 | Tailgate Cable 17-3/4" | 1 Pc. / Each**

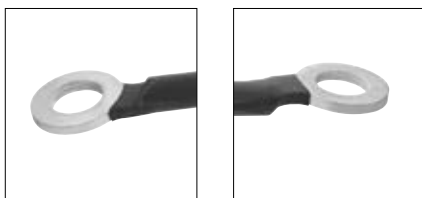
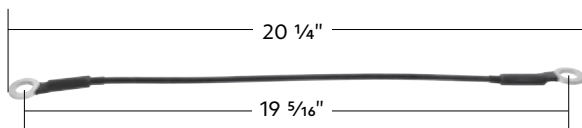


### 21-1/8" Tailgate Cable

**1983-1997 Ford F-150 Truck**

- Measures 21-1/8" center to center between two eyebolts
- OE style quick release eyebolt with locking spring plate
- Heavy duty 5/32" thick eyebolts with 19/32" inside diameter opening
- Steel inner cable with quality black nylon outer sleeve
- Fits F-100 (1983), F-150 (1983-1996), and F-250/F-350 (1983-1997)

**111034 | Tailgate Cable 21-1/8" | 1 Pc. / Each**

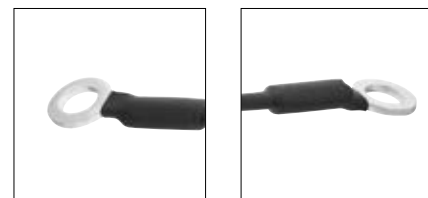
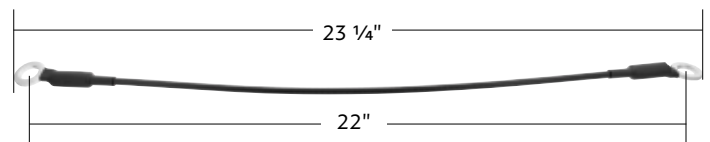


### 19-5/16" Tailgate Cable

**1973-1989 Chevrolet C10 Truck & GMC Suburban**

- Measures 19-5/16" center to center between two eyebolts
- Heavy duty 3/16" thick eyebolts with 9/16" inside diameter opening
- Steel inner cable with quality black nylon outer sleeve

**111070 | Tailgate Cable 19-5/16" | 1 Pc. / Each**



### 22" Tailgate Cable

**1973-1991 Chevy Blazer & 1973-1991 GMC Jimmy**

- Measures 22" center to center between two eyebolts
- Heavy duty 5/32" thick eyebolts with 19/32" inside diameter opening
- Steel inner cable with quality black nylon outer sleeve

**111071 | Tailgate Cable 22" | 1 Pc. / Each**



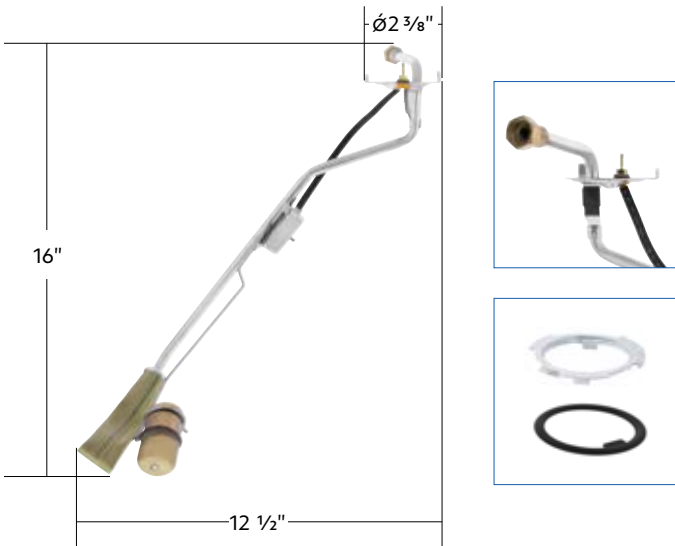
**Hood Latch**

**1977-1980 Chevrolet & GMC Truck**

- Direct OEM replacement
- Black EDP coated to protect against corrosion
- For vehicles with inside hood latch release
- Straight forward installation w/ 3/8"-16 welded square nuts
- Also fits other GM applications, please check our application list

**111066 | Black**

**1 Pc. / Each**



**Fuel Sending Unit**

**1967-1971 Chevy & GMC Truck With V8**

- Made with corrosion resistant stainless steel sheet
- Brass float just like the original
- Includes rubber seal, stainless steel lock ring, and strainer
- 3/8" diameter fuel line inlet

**111044 | Fuel Sending Unit**

**1 Pc. / Each**



**Ford Bronco & Chevy C10 Catalog**

**SEMA 2022**

- Collection of Ford Bronco and Chevy C10 parts and accessories United Pacific has to offer
- Also available as digital download on our web site's Catalogs & Flyers section

**ACSEMA2022 | Catalog**

**1 Pc. / Each**

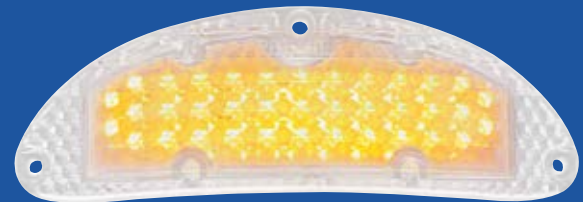
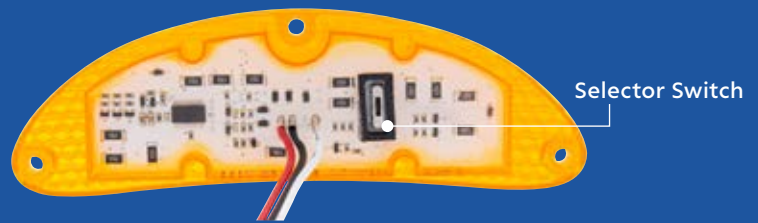
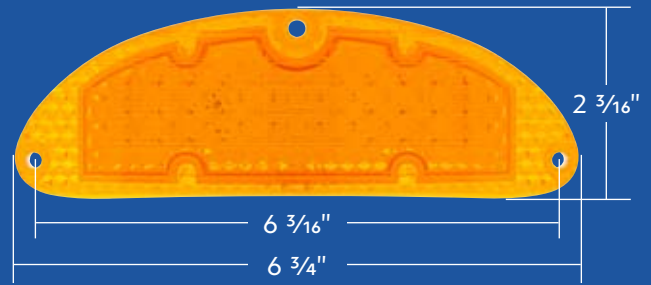
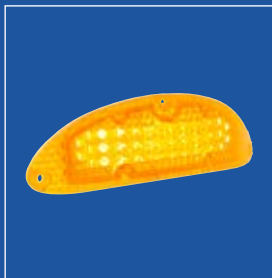
**NEW ITEMS // December 2022**

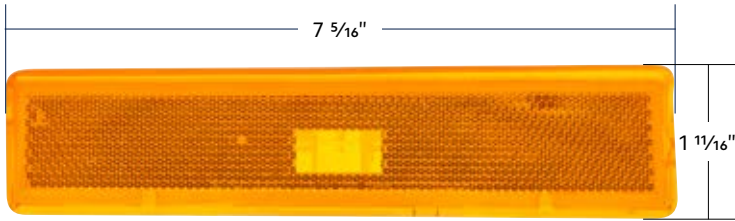

## 37 LED Sequential Parking Light

### 1955 Chevy Passenger Car

- Super bright amber LED with high quality injection molded acrylic lens
- Features sequential function with selector switch to control sequential function off/on
- Epoxy coated, fully sealed electronics
- Easy electrical connection with 1157 plug, no modification to vehicle
- Energy efficient solid-state circuit board engineered for 12V DC systems
- Lens gasket sold separately item #C5536
- Recommend to upgrade under dash flasher to item #90652 or #90649 LED flasher
- Selector switch positions: up=sequence left to right, center=sequential function off, down=sequence right to left

<b>111036</b>	37 LED Seq Park Light - Amber	1 Pc. / Card
<b>111037</b>	37 LED Seq Park Light - Clear	1 Pc. / Card


**37LEDs**


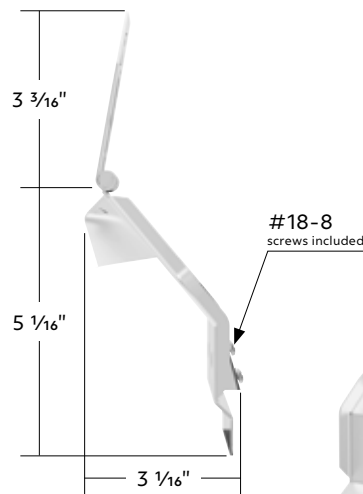
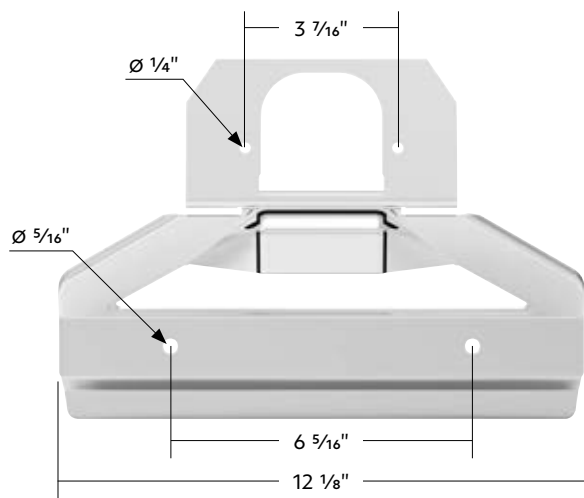


## Front Side Marker Light

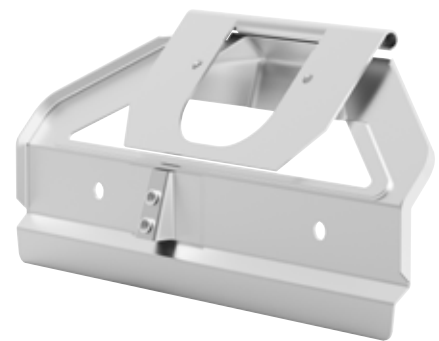
**1980-1986 Ford Truck**

- High quality polycarbonate lens with original style lens pattern
- Durable plastic rear housing with OE style light socket opening (socket & bulb not included)
- Easy installation, mounts directly onto fender sidemarker pocket like OE

<b>111091</b>	<b>Amber Lens</b>	<b>Left Hand</b>	<b>1 Pc. / Each</b>
<b>111092</b>	<b>Amber Lens</b>	<b>Right Hand</b>	<b>1 Pc. / Each</b>



**Recommended Item 110922**



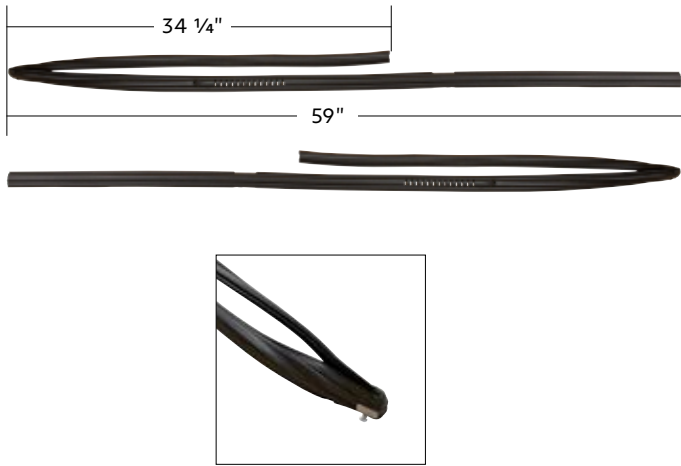
## 304 Stainless Steel License Plate Bracket

**1966-1977 Ford Bronco**

- Heavy gauge steel reproduction of the original rear license plate bracket
- Features spring mounting base and screws, for flip-out position when tailgate is down
- Precision punched screw hole and license plate light bracket clearance pocket
- Highly polished 304 premium grade stainless steel

<b>110880</b>	<b>SS License Plate Bracket</b>	<b>1 Pc. / Each</b>
---------------	---------------------------------	---------------------





### Rubber Door Glass Run With Window Post Liner

**1981-1991 Chevy & GMC Truck**

- Made of high quality long lasting UV resistant synthetic rubber
- Original style profile and mounting clip for easy installation
- Pre-applied window glass felt on inner sidewalls

<b>110948</b>	Left Hand	1 Pc. / Each
<b>110949</b>	Right Hand	1 Pc. / Each



### Window Post Liner

**1973-1980 Chevy & GMC Truck**

- Made of high quality long lasting UV resistant synthetic rubber
- Original style profile and mounting clip for easy installation
- Pre-applied window glass felt on inner sidewalls

<b>110942</b>	Left Hand	1 Pc. / Each
<b>110943</b>	Right Hand	1 Pc. / Each

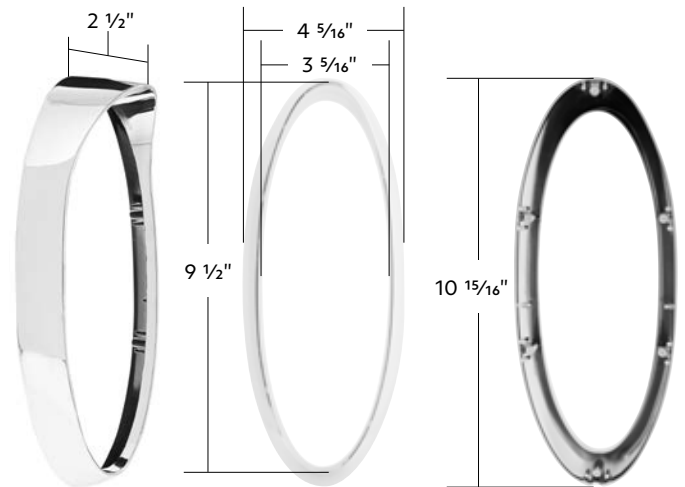


### Rubber Door Glass Run

**1973-1980 Chevy & GMC Truck**

- Made of high quality long lasting UV resistant synthetic rubber
- Original style profile and mounting clip for easy installation
- Pre-applied window glass felt on inner sidewalls

<b>110941</b>	Rubber Door Glass Run	1 Pc. / Each
---------------	-----------------------	--------------

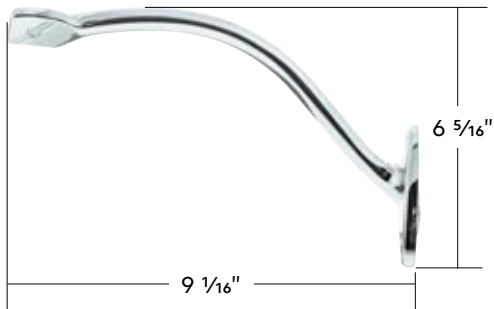


### Chrome Plated Tail Light Bezel

**1954 Chevy Passenger Car**

- Beautiful high quality chrome plated finish with triple chrome plating process
- High quality die-cast with identical contour as original.
- Also fits Panel Truck and Suburban
- Matching chrome plated mirror head available separately, item #C476901, C477202
- Matching gloss black mirror head available separately, item #C477201, C476903B

<b>C5404</b>	Chrome Plated Tail Light Bezel	1 Pc. / Each
--------------	--------------------------------	--------------

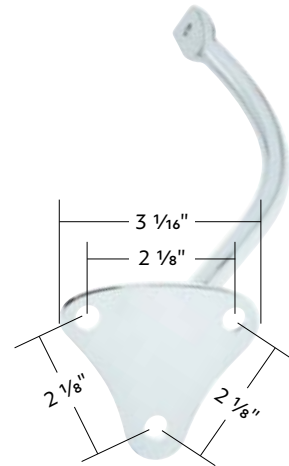


### Chrome Exterior Mirror Arm

**1955-1959 Chevy & GMC 2nd Series Truck**

- Beautiful high quality chrome plated finish with triple chrome plating process
- High quality die-cast with identical contour as original
- Also fits Panel Truck and Suburban
- Matching chrome plated mirror head available separately, item #C476901, C477202
- Matching gloss black mirror head available separately, item #C477201, C476903B
- Sold individually, please specify left-hand or right-hand side

**C555943** | Left Hand | 1 Pc. / Each  
**C555944** | Right Hand | 1 Pc. / Each



Kit Includes	
Item	QTY
9/16"-12 x 6" Long Hex Bolt	2
2" OD Flat Washer	12
3" OD Rubber Mount	4
2.4" Rubber Mount	2
2.3" Long Steel Sleeve	4
2.3" OD Rubber Donut	2
1.5" Long Steel Sleeve	2
2.4" OD Rubber Cone	4
9/16"-12 Nylon Insert Locknut	2
7/16"-14 Nylon Insert Locknut	4
7/16"-14 x 5.5" Long Hex Bolt	2
7/16"-14x 3.5" Long Hex Bolt	2
2.5" OD Flat Washer	2



### Cab & Radiator Support Mounting Kit

**1967-1972 Chevy & GMC Truck 1/2-Ton Truck**

- Quality molded rubber mounts for cab and radiator support
- Includes all mounting bolts, lock nuts, spacers and large washers
- 44 piece kit
- Note: radiator support mounts are for 1969-72 Chevy & GMC truck

**110997** | Cab & Radiator Mounting Kit | 1 Pc. / Wbox

Kit Includes	
Item	QTY
9/16"-12 x 6" Long Hex Bolt	2
2" OD Flat Washer	8
3" OD Rubber Mount	4
2.3" Long Steel Sleeve	4
2.4" OD Rubber Cone	4
9/16"-12 Nylon Insert Locknut	2
7/16"-14 x 5.5" Long Hex Bolt	2
2.5" OD Flat Washer	2
7/16"-14 Nylon Insert Locknut	2



### Cab Mounting Kit

**1967-1972 Chevy & GMC 1/2-Ton Truck**

- Quality molded rubber cab mounts
- Includes all mounting bolts, lock nuts, spacers and large washers
- 30 piece kit

**C677204** | Cab Mounting Kit | 1 Pc. / Set

# PRODUCT INDEX

ITEM #	PAGE #	ITEM #	PAGE #	ITEM #	PAGE #
35887	30	110977	12	111069	31
35888	30	110978	16	111070	32
70892	23	110979	16	111071	32
70893	23	110980	14	111072	25
99099	20	110981	14	111073	25
99304	7	110982	12	111091	35
110268	29	110983	12	111092	35
110402	23	110984	24	99306L	18
110465	9	110985	24	99306M	18
110545	19	110986	10	99306XL	18
110546	19	110987	10	99306XXL	18
110693	25	110988	10	99307L	18
110702	19	110989	10	99307M	18
110703	25	110991	21	99307XL	18
110744	27	110992	21	99307XXL	18
110880	35	110995	12	ACSEMA2022	33
110881	17	110996	12	ANF1221	17
110885	9	110997	37	C384001	31
110885	11	111002	9	C5022	20
110886	9	111004	8	C5404	36
110886	11	111005	8	C545504-2	15
110900	7	111010	22	C555702	15
110905	22	111018	13	C555943	37
110923	10	111020	15	C555944	37
110924	10	111021	15	C677204	37
110929	8	111022	14	C8061	20
110930	16	111023	14		
110941	36	111024	21		
110942	36	111025	21		
110943	36	111028	26		
110948	36	111029	27		
110949	36	111030	26		
110956	22	111031	26		
110957	21	111034	32		
110958	21	111035	32		
110961	11	111036	34		
110962	12	111037	34		
110963	17	111038	27		
110964	11	111039	27		
110965	11	111040	27		
110966	13	111041	28		
110967	13	111042	28		
110968	14	111043	28		
110969	17	111044	33		
110970	17	111045	28		
110971	14	111058	31		
110972	14	111059	31		
110976	12	111066	33		

# Terms and Conditions for Wholesale

## New Accounts

Initial buy-in amount and/or quantity is to be determined by United Pacific Industries, UPI hereafter. All initial orders must be prepaid in advance by Cashier's Check or VISA/MC/AMX. All new/potential accounts must complete a UPI "New Dealer Info/Credit Form" and follow the Dealer Qualification Instructions. Upon completion of the credit application, approved accounts will be assigned payment terms of NET 30 Days (from invoice date). Accounts denied a credit line will be required to prepay in advance by Cashier's Check, ACH or Bank wire or VISA/MC/AMX.

## Payment Terms

### Term Accounts

Accounts with NET 30 Days terms are required to submit payment within the 30 days from the date of invoice. Acceptable forms of payment include checks, ACH (Automated Clearing House), or wire transfer. A service charge of 1.5% per month will be imposed on invoices not paid within the 30-day term. Delinquent accounts will be required to pay Cash-In-Advance (CIA). Checks will be accepted but orders will not be released until the check is cleared by the bank. Past due invoices will delay current orders. Please check with UPI on your account status when placing an order.

### Credit Cards

Accounts denied credit terms may be given the option to pay by Visa, MasterCard or American Express. The credit card will be charged upon shipment. A 3% service fee will be added to the invoice. Credit card payments will not be accepted once an order has been shipped. UPI does not accept Discover card.

### COD

There is no COD payment offered.

### Returned Checks

A \$30.00 NSF (Non-Sufficient Fund) fee will be assessed on each incidence a check is returned to UPI.

## Ordering Guidelines

### Placing Orders

New orders and PO's may be placed by any of the following methods:

- Fax: (888) 986-5988
- E-mail: [antique@upauto.com](mailto:antique@upauto.com)
- Telephone: In order to minimize errors, dealers are encouraged to submit their orders by fax or mail. Telephone orders are generally not preferred as to minimize errors. Utilize one of the methods above for placing orders.

### Changes to Orders

Once orders are released for picking, changes are no longer possible. Dealers would have to submit a new PO for any additional items needed.

### Cancelling Orders

Cancellation of Stock orders must be submitted via fax or email within 24 hours of the order date. If the Stock order has already shipped it will be the dealer's responsibility to return the order at the dealer's own expense. A restocking fee may apply, please see "Return" policy for further detail. Drop Ship orders cannot be cancelled due to the priority processing and shipping.

### Backorders

Dealers have the option of having their backorders shipped or cancelled. UPI will notify dealer as to availability of backorders and will be able to ship any backorder items dealer still needs as part of their next stock order. UPI reserves the right to cancel backorders that are 2 month or older from invoice date.

### Minimum Orders

A minimum order of \$50.00 is required. Orders below \$50.00 will be assessed a minimum order fee of \$10.00.

### Packaging

A 10% service charge will be added to orders with special packaging or UPC barcoding requirements.

### Lead Times

Standard lead time for all United Pacific Stock orders is 5 business days from the receipt of the purchase order. Larger Stock orders may require a lead time of up to 7 business days. Drop Ship orders generally ship in 2 business days or less. Transit time of 3-5 business days must be considered when placing orders. UPI cannot be responsible for delays in shipment after an order leaves our warehouse. UPI will work to resolve delays with freight forwarding firms, however, delays do arise from time to time due to weather and unforeseen circumstances beyond UPI's control. Express orders are exempt; please view Freight/Shipping Policy for further detail.

### Order Confirmation

United Pacific will acknowledge receipt of orders by email or EDI within 1 business day of receiving the PO. If confirmation is not received, please contact UPI to ensure your order was received.

## Freight

### Prepaid Freight

Stock orders between \$.01 and \$1,999.99 (US Lower 48 States and Canada), \$.01 and \$3,299.99 (Alaska and Hawaii), [all price net US\$], will be shipped FOB Long Beach, California. Stock orders of \$2,000.00 (US Lower 48 States and Canada), \$3,300.00 (Alaska and Hawaii), [all price net US\$], or more will be shipped Freight Prepaid Ground to a single location only. Exclusions on prepaid: 1) B20000-A, -B, -C, -D, -E 1932 5W Body, Bronco Hood #110460, 110461, 110462 and C-10 Bed #110839 items always ship freight collect. 2) Express NDA and 2-day orders, Special Net Pricing orders, and Special Quote Pricing orders ship FOB Long Beach. All drop shipment orders will be assessed a 5% processing fee. Drop shipment processing fee will be automatically added to the invoice without notice. No freight allowance or prepaid freight will be permitted for any drop shipment. All drop ship orders, regardless of order size, are FOB Long Beach, CA. A minimum order of \$50.00 is required. Orders below \$50.00 will be assessed a minimum order fee of \$10.00. United Pacific reserves the right to select the carrier of our choice. Freight paid orders do not include extra services such as liftgate fee.



## Will Call Orders

Will Call orders can be picked up in 1-3 days after placing the order. Dealers will receive their scheduled pick-up time in the order confirmation. Dealers should always call ahead to confirm when order will be ready. Sorry no same-day pick-up allowed. Will Call hours are 8:30AM – 4:00PM PST.

## Shipping Policy

### International Shipments

Shipments to locations outside the continental United States will be shipped to the dealer's shipping agent or broker within the continental United States in accordance with the US freight policy. International dealers will be responsible for the duties and taxes of their respective country.

### Express Orders

All express orders, such as Next Day, Second Day, 3 Day Service & Will Call, must be emailed, faxed, or sent via EDI. Order confirmation will be sent to the dealer for final approval. If confirmation is not received, please contact UPI to ensure your order was received. Dealers are required to sign off on express orders and send confirmation back to UPI. Cut off for express order is 10:00AM PST (Pacific Standard Time). Express orders received after 10:00AM PST will ship the next business day. Please contact UPI to confirm projected shipping date or will call time. Due to the high cost of express shipments, dealer may request UPI to notify them of freight charges. If dealer does not request confirmation, UPI will ship the express order.

### Drop Shipments

All drop shipment orders will be assessed a 5% handling fee and will be automatically added to the invoice without notice. All drop shipment orders must be emailed, faxed, or sent via EDI. No freight allowance or prepaid freight will be permitted for any drop shipment; thus, all drop ship orders regardless of order size, are FOB Long Beach, CA.

## Claims

### General Policy

All claims (Shortage, Mis-Shipped, Damage, Overage, Dealer Error & Billing Error) must be submitted to UPI within 3 business days of the receipt of shipment. Claims submitted beyond 3 business days of the receipt of shipment will be voided by UPI.

On all shipments, the person who signs and receives the shipment is responsible for noting on the Bill of Lading, in writing, whether any boxes arrived damaged or shorted. Failure to do so will void all claim rights between all parties. UPI will have no recourse against the trucking company if dealer does not note any damages or shortages on the Bill of Lading.

The dealer's receiving department must count and sign for the exact number of boxes received. Failure to follow the above instructions will void all claim rights between all parties.

### Shortages / Mis-Ships / Damages

While UPI strives to fill every order with 100% accuracy, on occasion an item may get shipped in error or get damaged during shipping. In the event this occurs, please follow the process below. Note: This type of claim must be reported to UPI within three (3) business days of receiving the order.

1. Contact the United Pacific office to initiate the claim. To make it easy for you we have two acceptable methods for requesting the claim: By e-mail : [returns@upauto.com](mailto:returns@upauto.com) OR By fax : (888) 986-5988

**Note** - To ensure you receive a timely credit, we cannot accept claim requests by phone.

2. You will be required to provide the following information:

- Your business name
- Contact name and telephone number (in case we have questions)
- Date the order was received
- A copy of the Packing List / Invoice noting the item number and quantity that was shipped in error or damaged during shipping.
- Special instructions you have for us.

3. UPI will send a return label so you can ship the items back.

4. Once we receive the miss-shipped/damaged item(s) a credit will be issued to your account on the next billing cycle. Shortages will be credit to the Dealers' account, unless dealer would like the shortages replaced.

**Overages:** UPI strives to provide our dealers with the best dealer service and products, in turn we would greatly appreciate any help from dealer in notifying UPI of any shipping overages. Dealers will be offered the option of retaining the merchandise or returning the merchandise to UPI at UPI's expense. If the items are to be returned, an RMA number and return shipping label will be provided.

**Dealer Errors:** Any item or quantity ordered in error by the dealer may be returned by contacting UPI for a RMA number.

1. We have two acceptable methods for requesting the RMA:

By e-mail : [returns@upauto.com](mailto:returns@upauto.com) OR By fax : (888) 986-5988

**Note** - To ensure you receive a timely credit, we cannot accept claim requests by phone.

2. You will be required to provide the following information:

- Your business name
- Contact name and telephone number (in case we have questions)
- A list of the items number and quantity ordered in error
- Special instructions you have for us.

3. UPI will review the request to ensure the products are within the return period.

4. Once we have validated the request, United Pacific will issue an RMA number to the dealer. In issuing the RMA approval, the following conditions will apply:

- Returned items are subject to a 20% re-stocking fee.
- Return shipping costs are the responsibility of the dealer.
- Items must not have any retail/price sticker on exterior package/box/card or they will be returned to the dealer at dealer's expense and no credit given.
- Items must be in good condition with original packaging intact, unblemished and in re-sellable condition, or they will be returned to the dealer at dealer's expense and no credit given.
- Allow up to 30 days for the credit to be issued from the time the returned items are received.

## Billing Errors

Billing errors should be reported to UPI within 3 business days of invoice receipt. Dealers are asked to provide the invoice number, part number, and quantities in question. Once verified, UPI will issue a credit or an invoice for the difference in billing error.

# Warranty

## General Policy

UPI offers a NO HASSLE WARRANTY RETURN policy. Warranty claims can only be submitted through an authorized UPI Distributor. UPI warranty is not transferable and applies to the original installation and purchase only. UPI warranty varies by product and each item's warranty period is stated on UPI's product web page. In no event shall UPI be liable for incidental or consequential damages, nor shall UPI be liable for any claims or damages arising out of or connected with the UPI warranty which exceed the purchase price of the products. There are no warranties, expressed or implied (including any warranty of merchantability or fitness) that extend beyond this warranty. The warranty does not apply to costs associated with the loss of use of the product, loss of time, inconvenience, commercial loss, incidental or consequential damages. The warranty does not apply to products which are damaged or made defective by faulty or incorrect installation. UPI reserves the right to alter the designs of products without assuming any obligation to modify previously manufactured products and will only replace warranted products with redesigned products.

Warranty does not apply to merchandise that has been drilled, cut, welded, modified in any way or installed contrary to normal installation and usage. In addition, UPI cannot be held liable for damages caused by road hazards, accidents, misuse, neglect, water intrusion, abuse or corrosive environments including acid washes and highway snow/ice chemicals which can cause discoloration and corrosion in aluminum, chrome, stainless steel and light products. UPI reserves the right to credit returned merchandise at the initial purchase price or at the current selling price, whichever price ever is lower.

## Aluminum / Chrome / Stainless Steel Products

Aluminum, chrome, and stainless steel products carry either a limited 6 month warranty, or a limited 1 year warranty (from invoice date) against defects in material or workmanship. Check the product page on our website for specific warranty period.

All Grill Guards (Item # 80000): A) Stainless Steel Materials and factory workmanship of the product itself carry a Limited Lifetime warranty. B) The Stainless steel polish and finish has a 12 month warranty. C) This warranty is provided only to the original purchaser/consumer, and on the original installation. Warranty is not transferable. Product failure or breakage due to accident/wreck or improper installation is not covered.

All mounting kits (Item # 80001, 80002, 80003, 80004, 80005): A) Steel Materials and factory workmanship on the sub-assembly bracket are Lifetime warranty. B) The painted or zinc finish has a 12 month warranty. C) Any ancillary components and parts (e.g. washers, bolts, spacers, etc.) which are not part of the sub-assembly, carry a 12 month warranty. D) This Warranty is provided only to the original purchaser/consumer, and on the original installation. Warranty is not transferable. Product failure or breakage due to accident/wreck or improper installation is not covered.

## Train Horns/Whistles

UPI will not warranty damages or discolorations caused by road hazards, accidents, misuse, or corrosive chemicals, including, acid washes and highway snow/ice solvents. Corrosive chemicals will cause discoloration. UPI will only warranty horns mounted horizontally behind the CAB/SLEEPER on the frame deck. UPI will NOT warranty horns mounted upside down or underneath of the truck. Mounting horns upside down or underneath the truck will subject the horns to road hazards & debris. This product is intended solely for the purpose of Off-road use. Check federal laws and/or regulations in your state, county, and/or municipality regarding installation and use of this product.

# Lighting Products

## Incandescent Lighting

All incandescent lighting products carry a limited 12 month warranty (from invoice date) against defects in material or workmanship. The limited 12 month warranty does not apply to several applications, such as, buses, construction equipment, and off road vehicles.

## LED Lighting

All LED lighting products carry a specific Limited Warranty (from invoice date) against defects in material or workmanship.

- LED with vehicle specific application is limited lifetime warranty to an original purchaser with receipt. Examples of lifetime warranty product: CTL5720LED, CTL5720LED for 1957 Chevy, FTL3201LED-L for 1932 Ford.
- LED Marker, 2", 2-1/2", 4", 7", Oval & Square Lights - Varies from 2 years to 10 years to Limited Lifetime, depending on specific item. The housing, bezel or mounting base on any light made from Chrome/Stainless carries a 6 month limited warranty.
- LED Cab Lights and Kits, Double/Single Stud Turn Signal and PB/ KW/FL/VL or non-make Turn Signals and any/all Strip Lights - Varies from 2 years to 10 years to Limited Lifetime, depending on specific item. The housing, bezel or mounting base on any light made from Chrome/Stainless carries a 6 month limited warranty.
- LED Beacon, Driving, Headlights, Work & Warning Lights - Varies from 6 months to 3 years. The housing, bezel or mounting base on any light made from Chrome/Stainless carries a 6 month limited warranty.
- All LED Accessory Lights (Honda, Stainless Steel Double/Single face Lights, Interior Lights, License Plate Lights, and any Accent Lights. The housing, bezel or mounting base on any light made from Chrome/Stainless carries a 6 month limited warranty. For any product that contains any type of light or LED, whether it is a stand alone light or LED, or part of a larger assembled item (e.g.. Rear light panel), modifying electrical wiring, sockets, lighting pigtailed and any electrical connection from the original configuration will void the warranty of both wiring, pigtail and the light or LED unit and cannot be warranted.

# Returns

## General Policy

All returns must be authorized by UPI. All return requests must be faxed or e-mailed (returns@upauto.com). A RMA number (Return Merchandise Authorization Number) will be provided. Returns not possessing a valid RMA number are subject to rejection and will be returned to sender at the dealer's expense. All dealers are encouraged to use the Warranty RMA Claim Form.

## Defective Goods / Warranty Return

UPI offers our dealers a No Hassle Warranty Return. Please follow the instructions below for requesting a RMA for defective goods:

1. If any warranty issues occur, simply contact the UPI for RMA number. To make it easy for you we have three acceptable methods for requesting the RMA. Email: [returns@upauto.com](mailto:returns@upauto.com) OR Fax: 888-986-5988

**Note-** To ensure you receive a timely RMA credit, we cannot accept RMA requests by phone.

2. You will be required to provide the following information:
  - Your business name
  - Contact name and telephone number (in case we have questions)
  - A list of the defective item number and quantity with the nature/ reason of the defect
  - Special instructions you have for us.
  - The enclosed fax form may be used for your convenience to request an RMA
3. UPI will review the request to ensure the products are within the stated warranty period.
4. Once we have validated the warranty items, a RMA confirmation, listing the items and cost will be faxed to the dealer within 3 business days. UPI will process the credit to your account within 30 days.

**Note:** The majority of time there will be no need to return the warranty product to us. However, from time to time, UPI may require some warranty products to be shipped back so we may analyze the cause of the failure. All warranty products that are required to be shipped back will be freight prepaid by UPI.

**Stock Return**

United Pacific Industries encourages all dealers to regularly monitor the sales volume and stock level of their inventory items. As sales trends may slow the movement of specific items, our hope is that those items are featured as "close-out specials" as to minimize stock returns. We also understand that the dealer, from time to time, may accumulate over-stock items and desire to return those. Therefore, we have adopted the following policy below.

**Note:** Items must have been purchased by the dealer requesting the stock return.

Items must have been purchased within the preceding 12 months. Items that have been discontinued will not be considered for return.

1. Contact the United Pacific for RMA number. We have 2 acceptable methods for requesting the RMA:  
 Email: [returns@upauto.com](mailto:returns@upauto.com) OR Fax: 888-986-5988

**Note:** To ensure you receive a timely RMA credit, we cannot accept RMA requests by phone.

2. You will be required to provide the following information:
  - Your business name
  - Contact name and telephone number (in case we have questions)
  - A list of the defective item number and quantity with the nature/ reason of the defect
  - Special instructions you have for us.
3. Your claim will be reviewed within 5 business days and you will be contacted by your sales representative who will discuss solutions to liquidate these slow moving items.
4. In the event United Pacific and the dealer agree to a credit in lieu of returning the items, this credit will be issued within 10 business days.
5. In the event items are returned by the dealer, United Pacific will issue an RMA number to the dealer. Once the RMA is issued, the following conditions will apply:
  - Returned items are subject to a 20% re-stocking fee. Return shipping costs are the responsibility of the dealer.
  - Items must not have any retail/price sticker on exterior package/ box/card or they will be returned to the dealer at dealer's expense and no credit given.
  - Items must be in good condition with original packaging intact, unblemished and in re-sellable condition, or they will be returned to the dealer at dealer's expense and no credit given.
  - Allow up to 30 days for the credit to be issued from the time the returned items are received.
6. Stock returns may be requested throughout the year and are subject to final approval by United Pacific.

**Closeout / Discontinue**

UPI will not warranty or accept returns on Closeout/Discontinue items.

**Procedure**

An inventory of the merchandise being returned must accompany each return. The RMA number should be prominently displayed on each carton/box. All Returns must be returned freight prepaid.

All Returns must be returned freight prepaid. All Returns must be returned freight prepaid.

**Ship Returns to**

United Pacific Industries  
 Attn: Returns Department  
 3788 E. Conant St.  
 Long Beach, CA 90808

**RMA**

Outstanding RMA's will be automatically cancelled if not used within 30 days of issuance.

**Disclaimer**

United Pacific Industries reserves the right to amend or update our Policies & Procedures without notice.

United Pacific Industries is not responsible for typographical, product information or print errors. Specifications on this catalog may be changed without advance notice. Products may look different from those in the photos on this catalog due to printing quality.



**United Pacific**

3788 CONANT STREET  
 LONG BEACH, CA 90808  
 DIRECT (800) 426-9888  
 TOLL FREE (888) 986-5988  
 FAX (562) 986-6068  
 UPAuto.com

**DEFECTIVE GOODS / WARRANTY CLAIM FORM**

Date: \_\_\_\_\_  
 Company Name: \_\_\_\_\_  
 Address: \_\_\_\_\_  
 City, State, Zip: \_\_\_\_\_  
 Contact Name: \_\_\_\_\_  
 Phone Number: \_\_\_\_\_  
 Fax Number: \_\_\_\_\_  
 Email: \_\_\_\_\_

List defective items below:

Item#	Qty	Description	Reason for Defect	Date Sold to Customer

Any special notes / instructions for United Pacific (list here):

File your claim at  
 by email - [sales@upauto.com](mailto:sales@upauto.com)  
 by fax - (562) 986-6068

**Internal Use Only**

Date Received: \_\_\_\_\_ Final RMA: \_\_\_\_\_  
 RMA Approval Date: \_\_\_\_\_ Credit Amount: \_\_\_\_\_  
 RMA Number: \_\_\_\_\_ Approved by: \_\_\_\_\_

**CALIFORNIA PROPOSITION 65 WARNING**



WARNING: Cancer & Reproductive Harm - [www.P65Warnings.ca.gov](http://www.P65Warnings.ca.gov)



United Pacific

**UP**carparts.com



UPauto.com | T (800) 790-6988 | F (888) 986-5988

**ANF1222**

2022 CLASSIC NEW ITEM FLYER  
COLLECTION



710270065004